

SUBMITTAL

DATE: _____
 PROJECT: _____
 EQUIPMENT: _____
 SUBMITTED BY: _____
 NOTES: _____

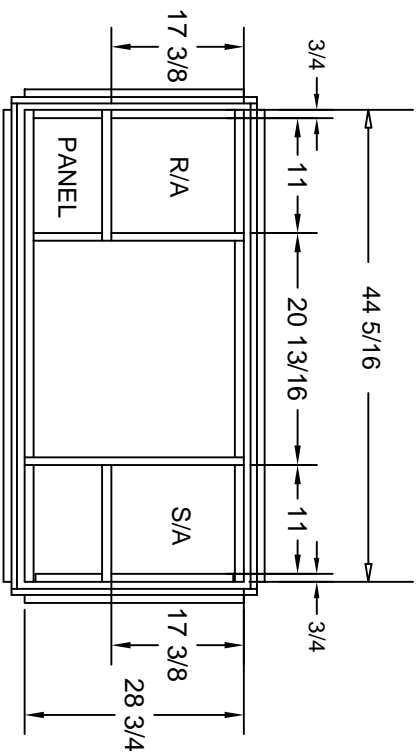
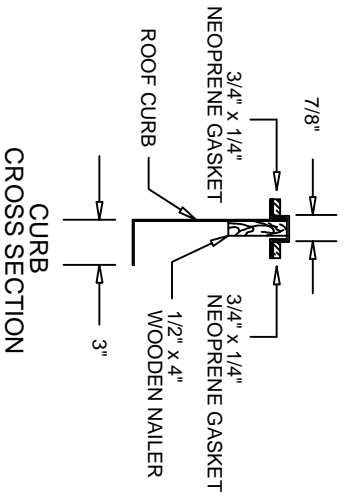
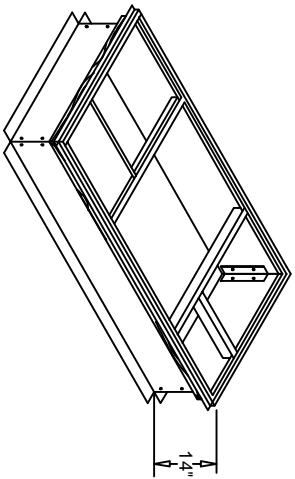
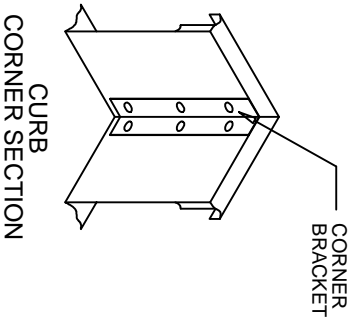
ROOF CURB

FEATURES:

- MITERED TOP CORNERS
- ROOF CURB BODY IS FABRICATED OF HEAVY GAUGE GALVANIZED STEEL
- FULL PERIMETER WOOD NAILER
- PRE-PUNCHED ASSEMBLY HOLES AND HARDWARE INCLUDED FOR DUCT SUPPORT INSTALLATION
- ROOF CURB IS SHIPPED KNOCKED DOWN
- EXCLUSIVE "SURE CLIP" DESIGN FOR QUICK AND EASY FIELD ASSEMBLY

CARRIER UNITS
 48GS 018-042
 48GX 024-036
 50 JS,JZ 018-042

PART NUMBER
 CARRIER CAMBRIDGEPORT
 CPRFCURB007A00CP 1000068



DATE: 10-03-01 REV: 08

CAMBRIDGEPORT AIR SYSTEMS
 SALISBURY, MA 01952
 PHONE 1-800-648-2872 FAX 978-462-9189