

DATE: \_\_\_\_\_  
 COMPANY: \_\_\_\_\_  
 JOB NAME: \_\_\_\_\_  
 SUBMITTED BY: \_\_\_\_\_  
 NOTES: \_\_\_\_\_  
 \_\_\_\_\_

# BURGLAR BARS SUBMITTAL #1000076

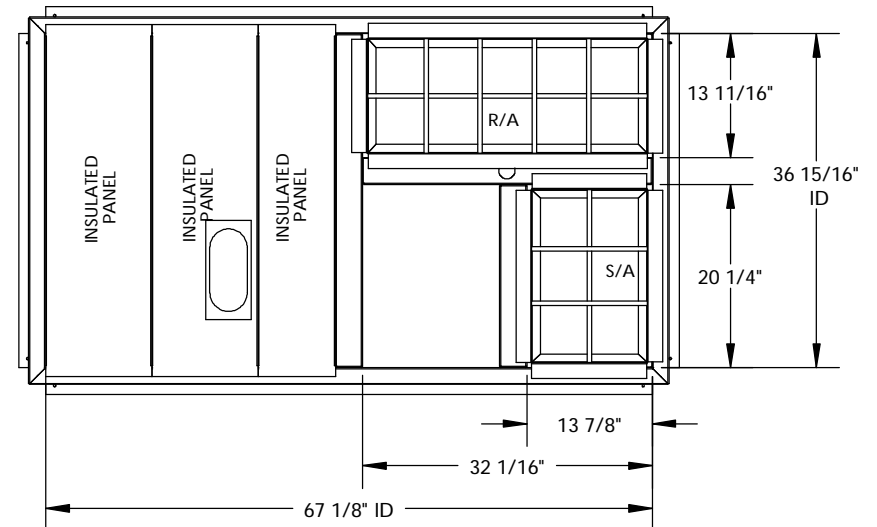
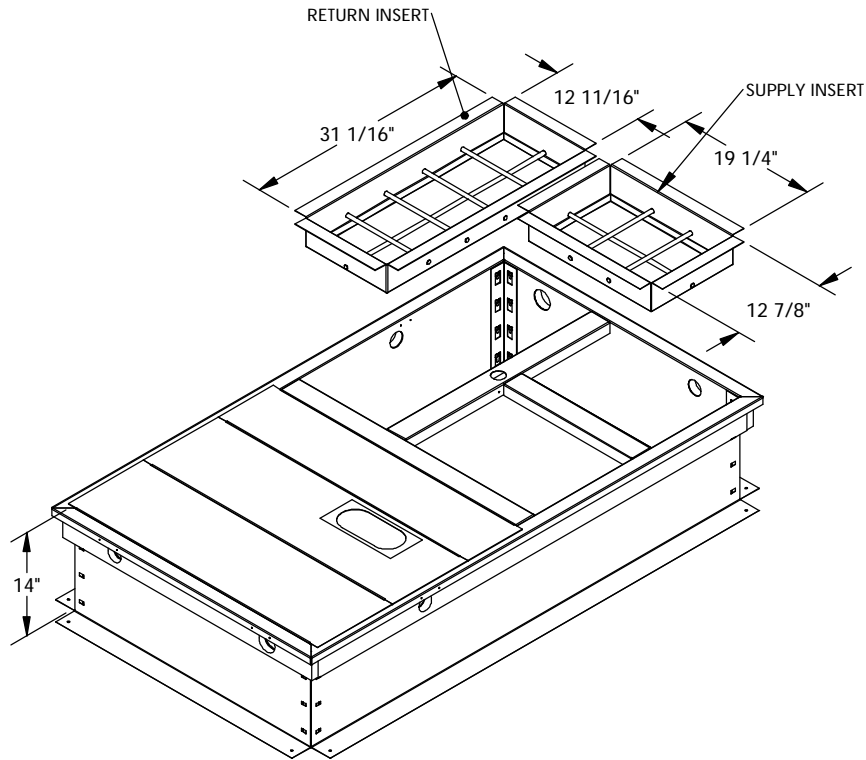
CARRIER CRRFCURB001A-BB

BURGLAR BARS  
 1000076

Drawn By: RTO  
 Drawn Date: 03/8/13

REV:

**ESTIMATED WEIGHT: 124 LBS.**



**FEATURES:**

BURGLAR BAR INSERTS ARE FABRICATED OF GALVANIZED STEEL AND 1/2" STEEL ROD

INSERTS ARE A ONE-PIECE WELDED CONSTRUCTION

ALL WELDS ARE SPRAYED WITH GALVANIZED COMPOUND

NOTE: DISTANCE BETWEEN STEEL RODS IS NOT GREATER THAN 6 INCHES.

TM

# Cambridgeport

AIR SYSTEMS, INC.  
 SALISBURY, MA 01952  
 PHONE 1-800-648-2872 FAX 1978-462-9189