

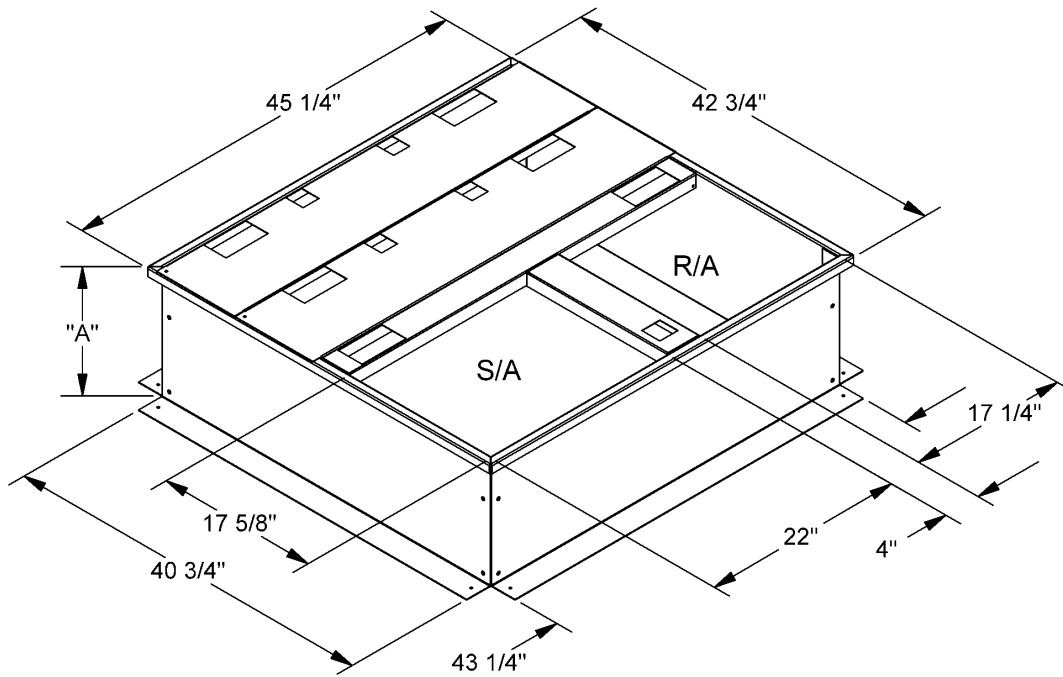
# Cambridgeport

## SUBMITTAL

SUBMITTED TO \_\_\_\_\_  
 COMPANY \_\_\_\_\_  
 JOB NAME \_\_\_\_\_  
 EQUIPMENT \_\_\_\_\_  
 SIGNATURE \_\_\_\_\_  
 DATE \_\_\_\_\_

**ROOF CURBS FOR YORK  
 ROOFTOP UNITS**  
 BHA, BHH, DEB, DEH, DNA, DNH 018-060  
 BHP, BHQ, BHX, BHZ 024-060  
 DEM, DEQ, DEX, DEZ, 024-060  
 DEY 060  
 DNP, DNQ, DNX, DNY, DNZ 024-060

PART #	PART #		CURB HEIGHT
	CAS	YORK	
1000008	1RCO463	1003135	"A"
1001802	1RCO449	1004351	14"
1000698	N/A	1004352	8"
1000173	1RCO474	1004353	18"
			24"



## FEATURES

- MITERED TOP CORNERS
- ROOF CURB IS FABRICATED OF 18GA G90 GALVANIZED STEEL
- FULL PERIMETER WOOD NAILER
- PRE-PUNCHED ASSEMBLY HOLES AND HARDWARE INCLUDED FOR DUCT SUPPORT INSTALLATION
- ROOF CURB IS SHIPPED UNASSEMBLED
- \* CURBS ARE INTERNALLY INSULATED WITH 1" THICK 1-1/2 LB DENSITY DUCT LINER

