

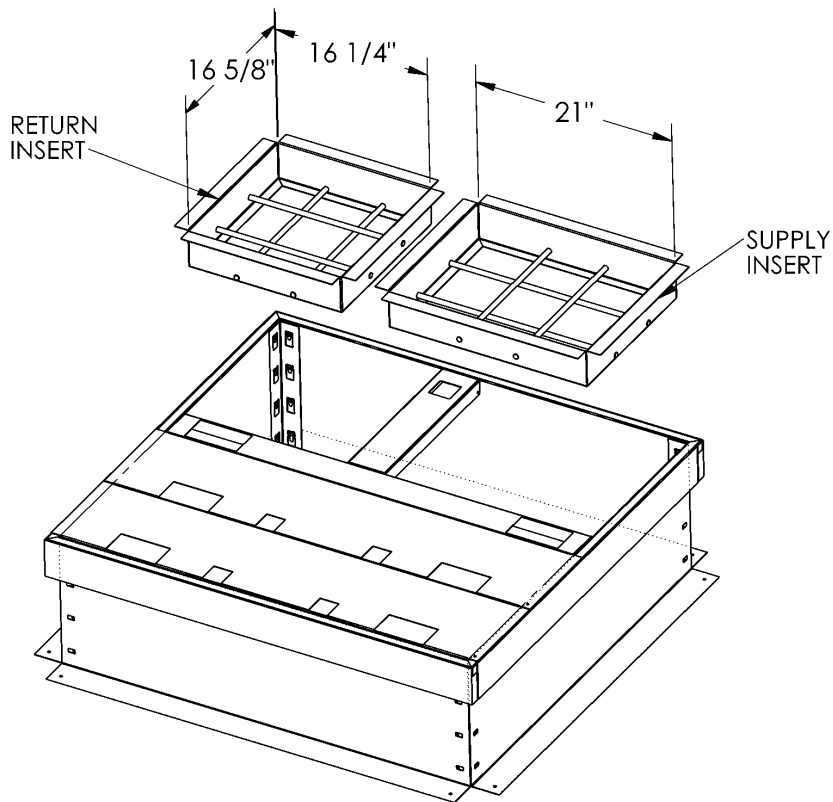
Cambridgeport

SUBMITTAL

SUBMITTED TO _____
COMPANY _____
JOB NAME _____
EQUIPMENT _____
SIGNATURE _____
DATE _____

**BURGLAR BAR INSERTS FOR
YORK ROOFTOP UNITS**
BHA, BHH, DEB, DEH, DNA, DNH 018-060
BHP, BHQ, BHX, BHZ 024-060
DEM, DEQ, DEX, DEZ, 024-060
DEY 060
DNP, DNQ, DNX, DNY, DNZ 024-060

PART #
CAS YORK
1000174 1RCO406



FEATURES

BURGLAR BAR INSERTS ARE FABRICATED OF 18 GA G90 GALVANIZED
STEEL AND 1/2 STEEL ROD
ONE-PIECE WELDED CONSTRUCTION
ALL WELDS SPRAYED WITH GALVANIZED COMPOUND
DISTANCE BETWEEN STEEL RODS ARE NO MORE THAN 6 INCHES
OPTIONAL FEATURE;
5/8 STEEL ROD
OPENINGS GREATER THAN OR LESS THAN 6 INCHES