

# Cambridgeport

## SUBMITTAL

SUBMITTED TO \_\_\_\_\_  
COMPANY \_\_\_\_\_  
JOB NAME \_\_\_\_\_  
EQUIPMENT \_\_\_\_\_  
SIGNATURE \_\_\_\_\_  
DATE \_\_\_\_\_

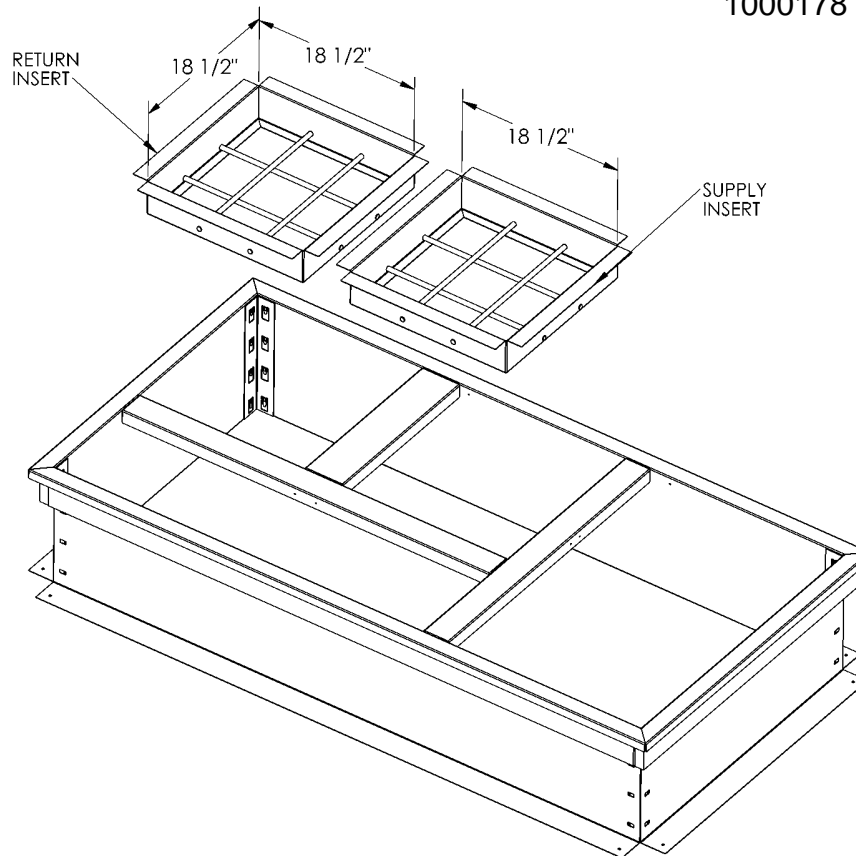
## BURGLAR BAR INSERTS FOR YORK ROOFTOP UNITS

**BQ, DJ, DH, DM, DY, XP, ZJ, ZR, 036-060**  
**BCH, DEE, DEG, DHE, DHG 036-060**  
**DEG, DCE, BP, DF, DM, DR, ZF 036-072**  
\*\*Note: Units with Bottom condensate Drain  
require 1RCO442. Call for Pricing\*\*

### PART #

**CAS YORK**

1000178 1RCO401



## FEATURES

BURGLAR BAR INSERTS ARE FABRICATED OF 18 GA G90 GALVANIZED  
STEEL AND 1/2 STEEL ROD  
ONE-PIECE WELDED CONSTRUCTION  
ALL WELDS SPRAYED WITH GALVANIZED COMPOUND  
DISTANCE BETWEEN STEEL RODS ARE NO MORE THAN 6 INCHES  
OPTIONAL FEATURE;  
5/8 STEEL ROD  
OPENINGS GREATER THAN OR LESS THAN 6 INCHES