

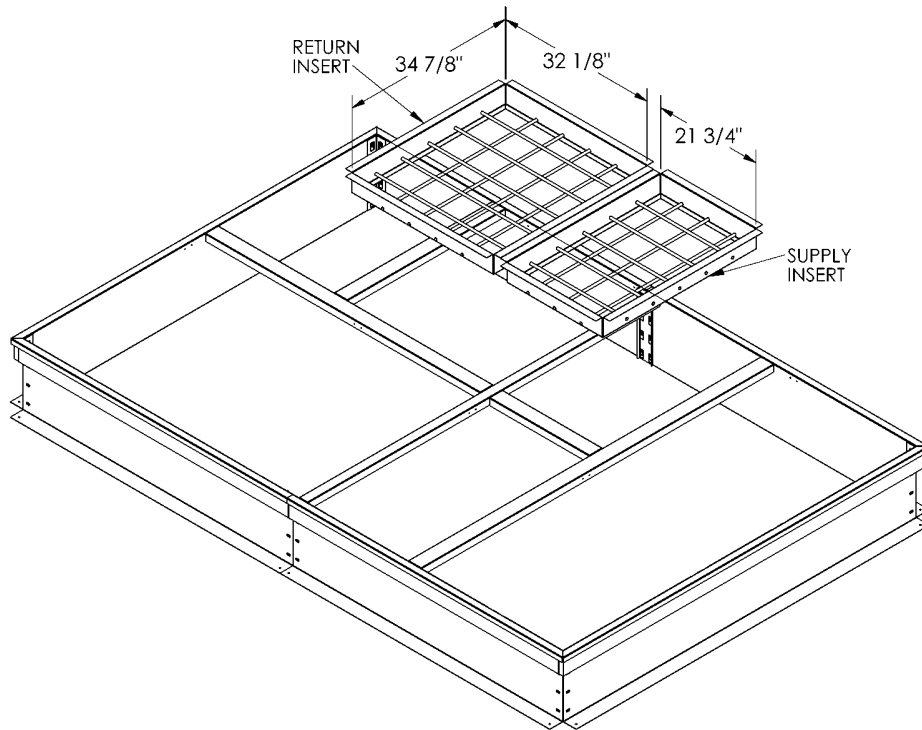
# Cambridgeport

## SUBMITTAL

SUBMITTED TO \_\_\_\_\_  
COMPANY \_\_\_\_\_  
JOB NAME \_\_\_\_\_  
EQUIPMENT \_\_\_\_\_  
SIGNATURE \_\_\_\_\_  
DATE \_\_\_\_\_

**BURGLAR BAR INSERTS FOR  
YORK ROOFTOP UNITS**  
DM, DCE, DCG, DCV 240-300  
BP, BQ, BCH, DEG, DEE 240  
DJ, DR, WJ, WR, ZJ, ZR 180-300  
DH, DM, ZF 210 300  
XP 180-240

**PART #  
1000197**



## FEATURES

BURGLAR BAR INSERTS ARE FABRICATED OF 18 GA G90 GALVANIZED STEEL AND 1/2 STEEL ROD  
ONE-PIECE WELDED CONSTRUCTION  
ALL WELDS SPRAYED WITH GALVANIZED COMPOUND  
DISTANCE BETWEEN STEEL RODS ARE NO MORE THAN 6 INCHES  
OPTIONAL FEATURE;  
5/8 STEEL ROD  
OPENINGS GREATER THAN OR LESS THAN 6 INCHES