

DATE: _____
 COMPANY: _____
 JOB NAME: _____
 SUBMITTED BY: _____
 NOTES: _____

ROOF CURB SUBMITTAL #1000320

CARRIER 5A

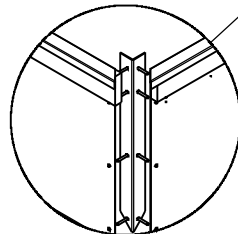
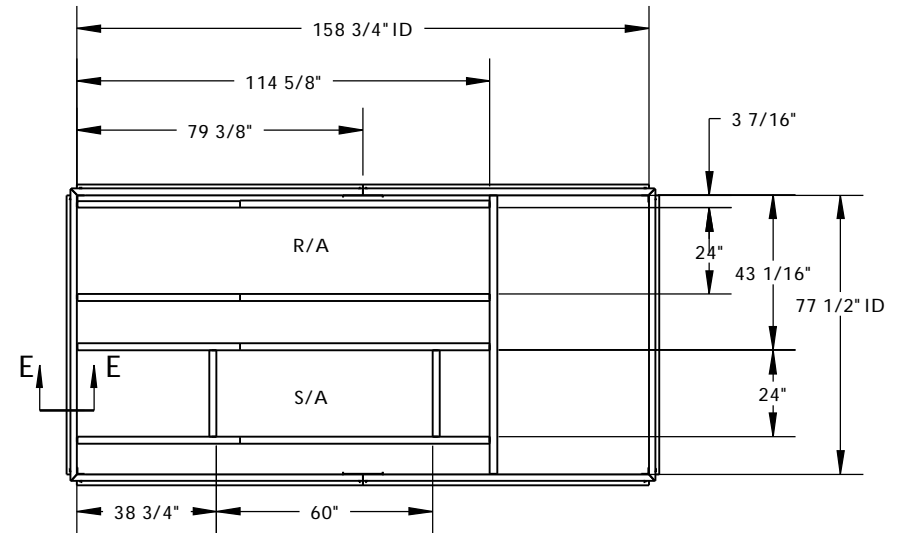
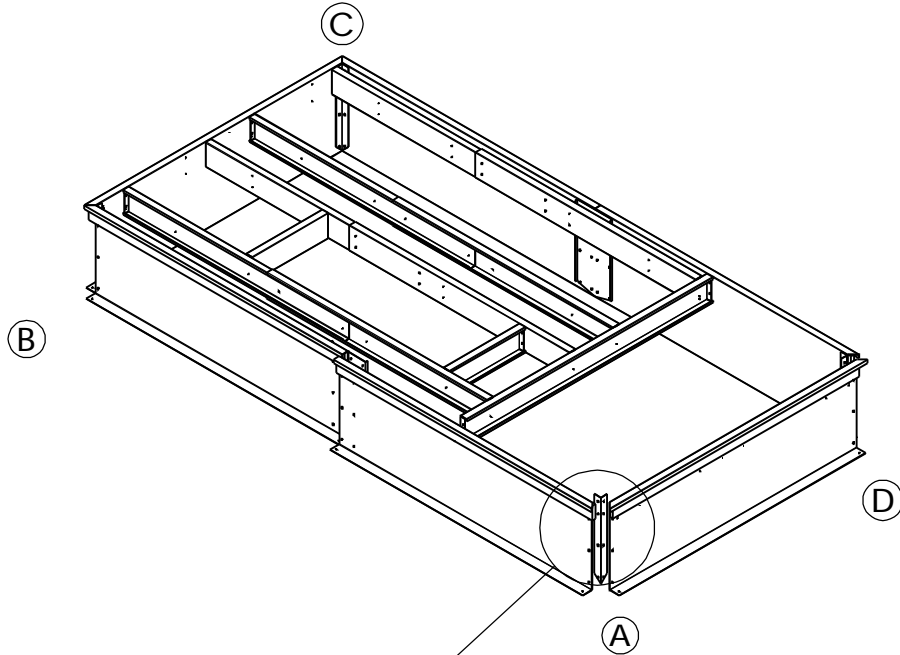
CURB ASSEMBLY NUMBER

1000320

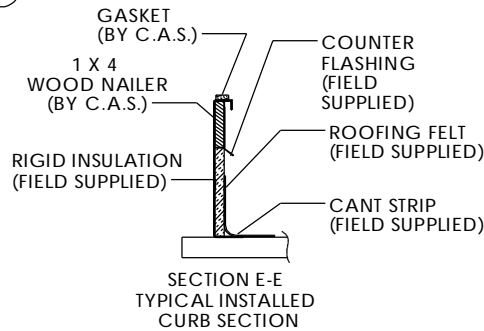
REV:

Drawn By: CJT
 Drawn Date: 01/30/07

ESTIMATED WEIGHT: 435 LBS.



DETAIL A



ROOF CURB IS LABELED WITH RTU# IF APPLICABLE

FEATURES:

MITERED TOP CORNERS

ROOF CURB BODY IS FABRICATED OF HEAVY GAUGE GALVANIZED STEEL.

FULL PERIMETER WOOD NAILER.

PRE-PUNCHED ASSEMBLY HOLES AND HARDWARE INCLUDED FOR DUCT SUPPORT INSTALLATION,
 ROOF CURB IS SHIPPED KNOCKED DOWN.

RTU#	HEIGHT OF CORNER A	HEIGHT OF CORNER B	HEIGHT OF CORNER C	HEIGHT OF CORNER D
	24"	24"	24"	24"

TM

Cambridgeport

AIR SYSTEMS, INC.

SALISBURY, MA 01952
 PHONE 1-800-648-2872 FAX 1978-462-9189