

SUBMITTAL

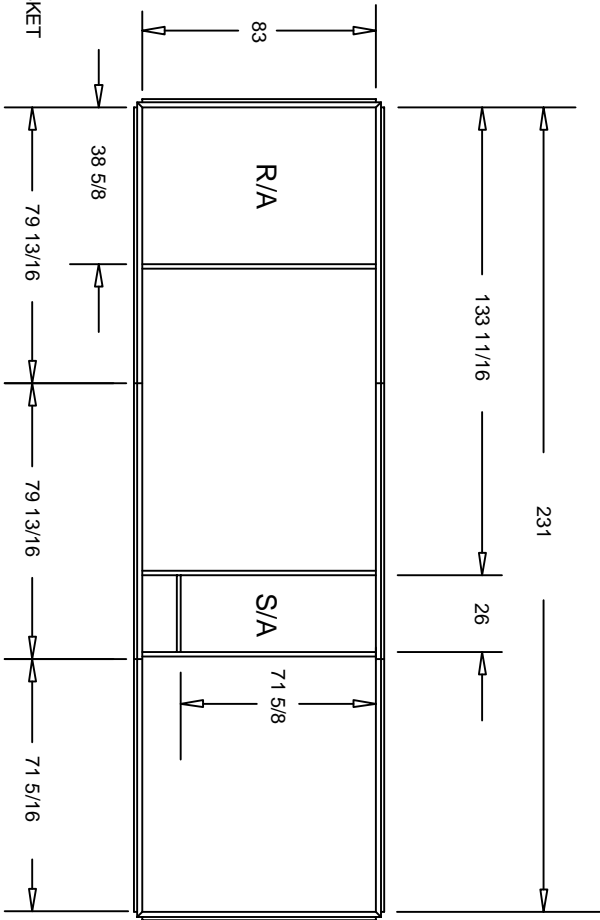
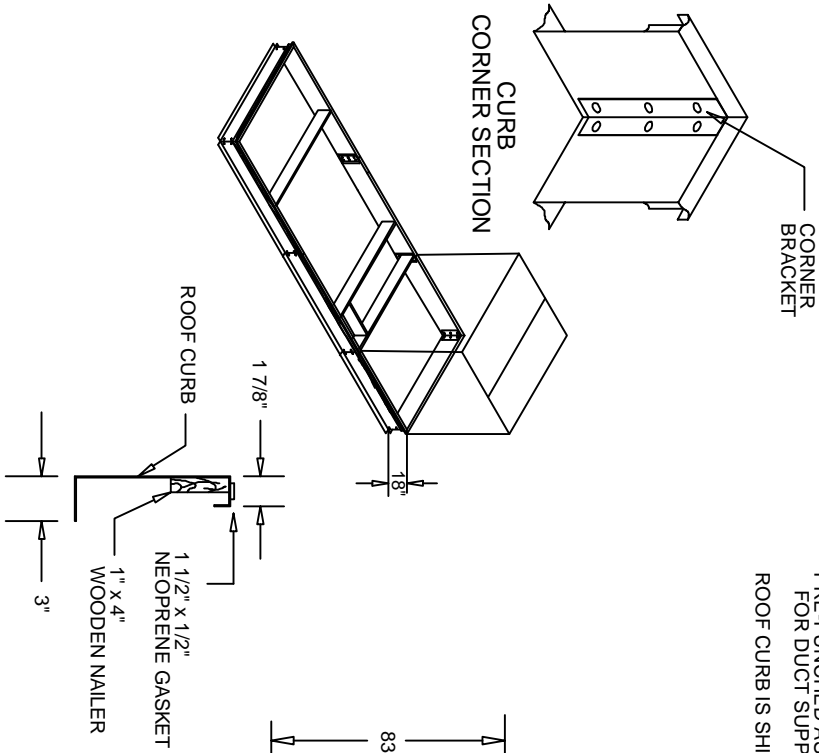
DATE: _____
 PROJECT: _____
 EQUIPMENT: _____
 SUBMITTED BY: _____
 NOTES: _____

ROOF CURRB

FEATURES:

- ROOF CURRB BODY IS FABRICATED OF HEAVY GAUGE GALVANIZED STEEL
- FULL PERIMETER WOOD NAILER
- PRE-PUNCHED ASSEMBLY HOLES AND HARDWARE INCLUDED FOR DUCT SUPPORT INSTALLATION
- ROOF CURRB IS SHIPPED KNOCKED DOWN

YORK UNITS
 Y12, Y13, Y14
 PART NUMBER
 YORK CAMBRIDGEPORT
 1RCO-455F 1001937



DATE: 10-23-01 REV: 01

CURRB CROSS SECTION

CAMBRIDGEPORT
 SALISBURY, MA 01952
 PHONE 1-800-648-2872 FAX 978-462-9189