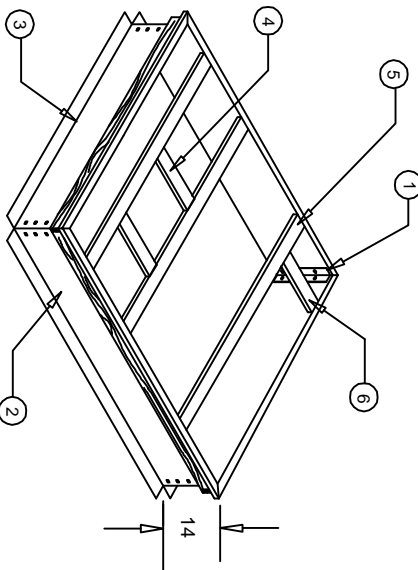


ROOF CURB ASSEMBLY INSTRUCTIONS

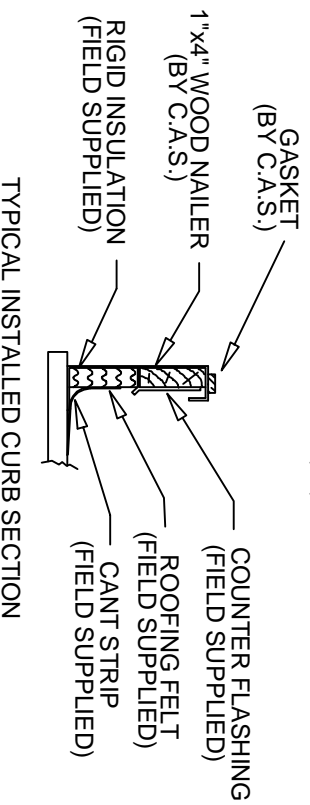
AAON UNITS
SEISMIC ZONE 2A

PART NUMBER
AAON CAMBRIDGEPORT
CABINET A 1002346

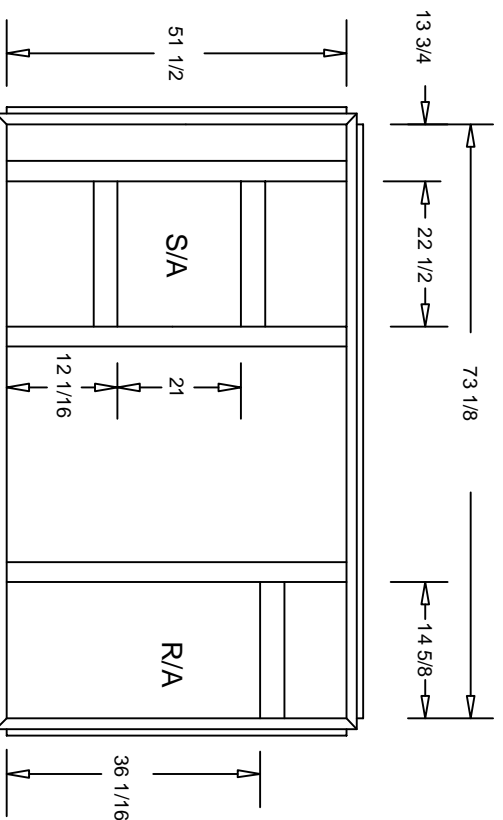


PARTS LIST

- | | |
|--------------------------|--|
| ① CORNER BRACKET (QTY.4) | ⑤ DUCT SUPPORT (QTY. 3) |
| ② END RAILS (QTY.2) | ⑥ DUCT SUPPORT (QTY. 1) |
| ③ SIDE RAILS (QTY.2) | ⑦ HARDWARE BAG (QTY.1)
(24) 10-16 x 3/4" TEK SCREWS
40 FT. 1" x 1/4" GASKET
(16) NUTS & BOLTS |
| ④ SUPPORT (QTY.2) | |



TYPICAL INSTALLED CURB SECTION



DATE:06-28-01 REV:00

SEE REVERSE SIDE FOR
STEP-BY-STEP ASSEMBLY
INSTRUCTIONS.

CAMBRIDGEPORT AIR SYSTEMS, INC.
SALISBURY, MA 01952
PHONE 1-800-648-2872 FAX 978-462-9189