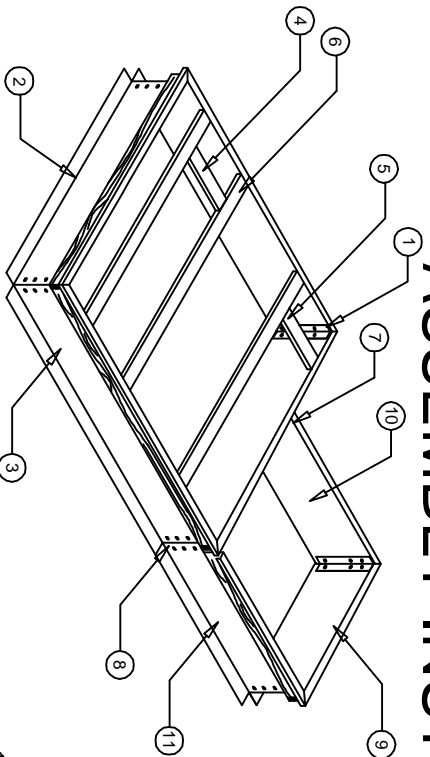


ROOF CURB ASSEMBLY INSTRUCTIONS

AAON UNITS
AAON RK8-15 W/HR
SEISMIC ZONE 2A

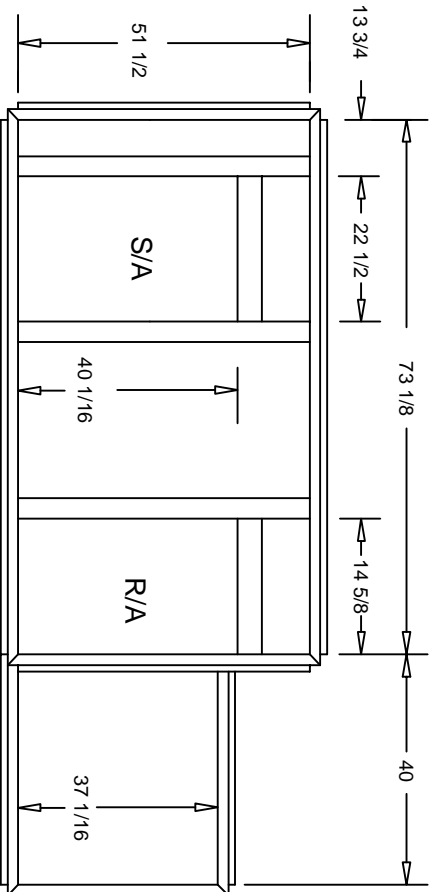
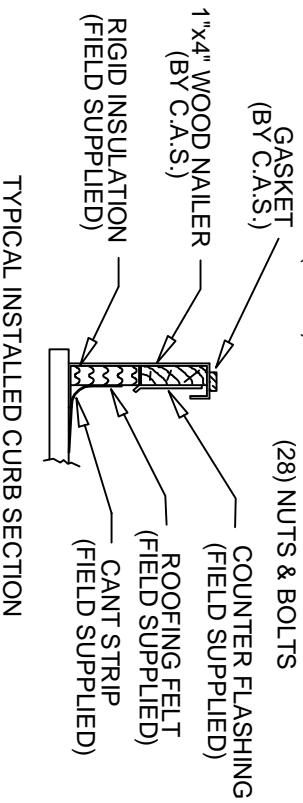
PART NUMBER
AAON CAMBRIDGEPORT
CABINET B 1004088

14" HIGH



PARTS LIST

- | | |
|--------------------------|------------------------------|
| ① CORNER BRACKET (QTY.6) | ③ BUTT STRAP (QTY. 1) |
| ② END RAILS (QTY.2) | ⑨ END RAIL (QTY. 1) |
| ③ SIDE RAILS (QTY.2) | ⑩ SIDE RAIL (QTY. 1) |
| ④ DUCT SUPPORT (QTY.1) | ⑪ SIDE RAIL (QTY. 1) |
| ⑤ DUCT SUPPORT (QTY.1) | ⑫ HARDWARE BAG (QTY.1) |
| ⑥ DUCT SUPPORT (QTY.3) | (12) 10-16 x 3/4" TEK SCREWS |
| ⑦ CORNER BRACKET (QTY.2) | 45 FT. 1" x 1/4" GASKET |
| | (28) NUTS & BOLTS |



DATE:07-30-01 REV:00

SEE REVERSE SIDE FOR
STEP-BY-STEP ASSEMBLY
INSTRUCTIONS.

CAMBRIDGEPORT AIR SYSTEMS, INC.
SALISBURY, MA 01952
PHONE 1-800-648-2872 FAX 978-462-9189