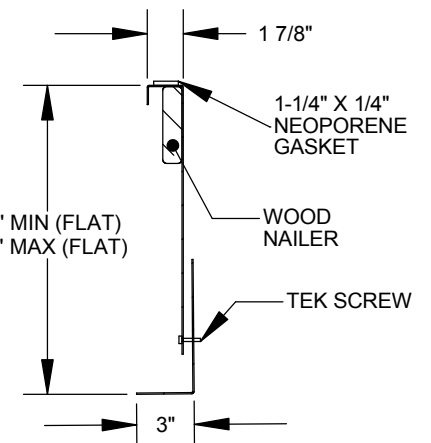
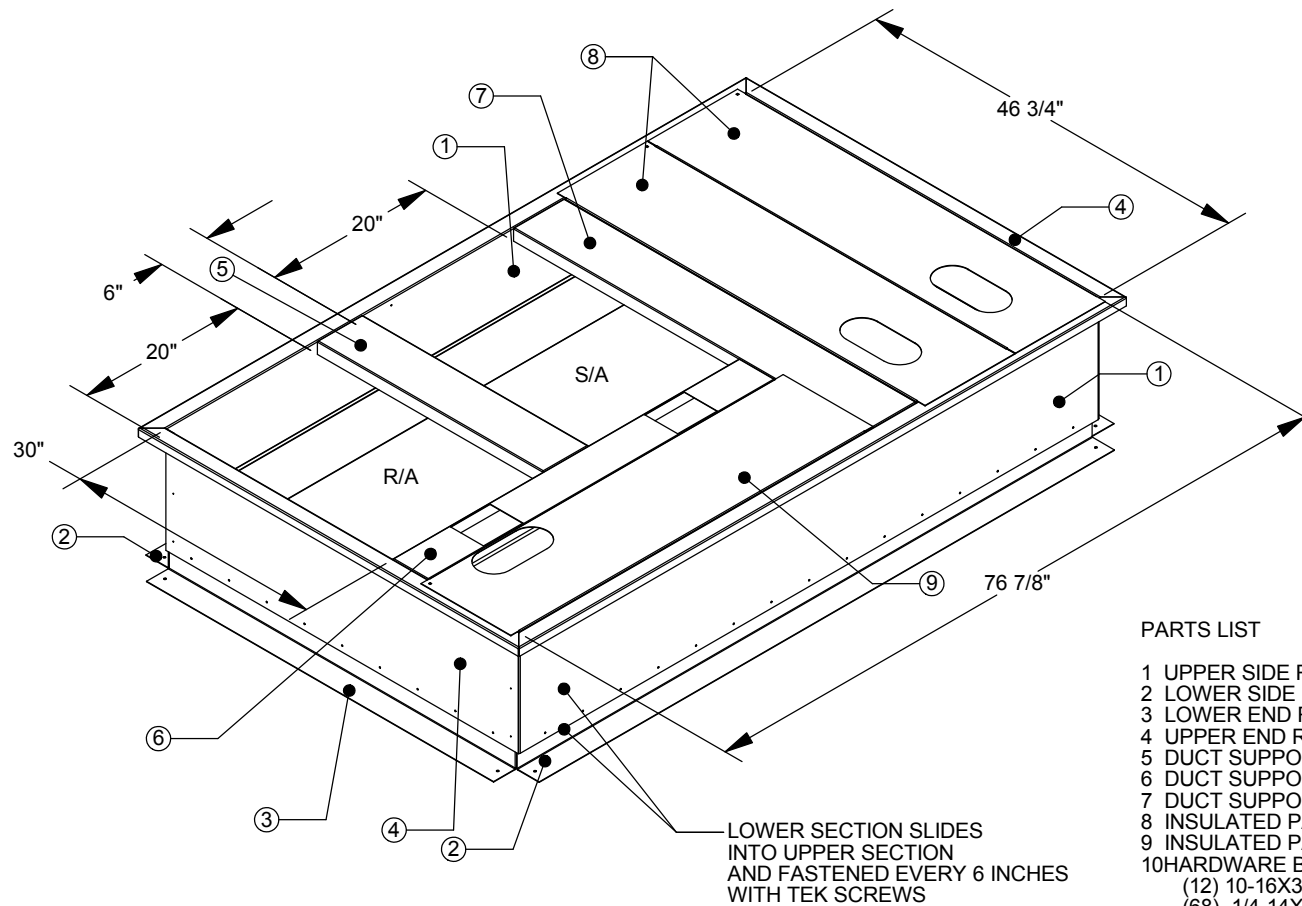


ADJUSTABLE SLOPE ROOF CURB ASSEMBLY INSTRUCTIONS

YORK UNITS
DM, DH 078-150
BP 090-150 (PREDATOR)

PART NUMBER

1004118 - CASADJSLP471



PARTS LIST

- 1 UPPER SIDE RAILS (QTY 2)
- 2 LOWER SIDE RAILS (QTY 2)
- 3 LOWER END RAILS (QTY 2)
- 4 UPPER END RAILS (QTY 2)
- 5 DUCT SUPPORT (QTY 1)
- 6 DUCT SUPPORT (QTY 1)
- 7 DUCT SUPPORT (QTY 1)
- 8 INSULATED PANEL (QTY 2)
- 9 INSULATED PANEL (QTY 1)
- 10 HARDWARE BAG (QTY 1)
 - (12) 10-16X3/4" TEK SCREWS
 - (68) 1/4-14X1" TEK SCREWS
 - (1) 25FT ROLL 1-1/4" X 1/4" GASKET
 - (1) 10FT ROLL 1-1/4" X 3/4" GASKET
 - (1) INSTRUCTION SHEET

1800056 DATE:06-25-03 REV: 00

SEE REVERSE SIDE FOR
STEP-BY-STEP ASSEMBLY
INSTRUCTIONS.

Cambridgeport™

North 1-800-648-2872/FAX 978-462-9189
South 1-877-648-2872/FAX 901-566-0035

ADJUSTABLE SLOPE ROOF CURB INSTALLATION INSTRUCTIONS

STEP 1 : BOTTOM SECTION

Assemble the bottom section by aligning the dimples and screwing the flanges of the ends to the sides from the inside. See detail A. 2 screws per corner.

STEP 2 : TOP SECTION

Assemble the top section by aligning the dimples and screwing the flanges of the sides to the ends from the inside going out. See detail A. 3 screws per corner.

STEP 3 : DUCT SUPPORTS

Install tek screws in provided pilot holes in sides and ends where necessary. Insert slotted ends of duct supports over screws and tighten if necessary. Repeat at all duct support locations.

STEP 4 : INSTALL BOTTOM SECTION

Locate the bottom section over the roof openings and secure it to the roof.

STEP 5 : INSTALL TOP SECTION - THIS CURB CAN ADAPT TO SLOPES UP TO 1" PER FOOT

Slide the top section over the bottom section, level and prop-up. Install the remaining tek screws from the outside of the top section into the bottom section through the pre-punched holes 6 inches on center. MAKE SURE ALL HOLES ARE USED AND SCREWS ARE TIGHT.

STEP 6 : ROOFING

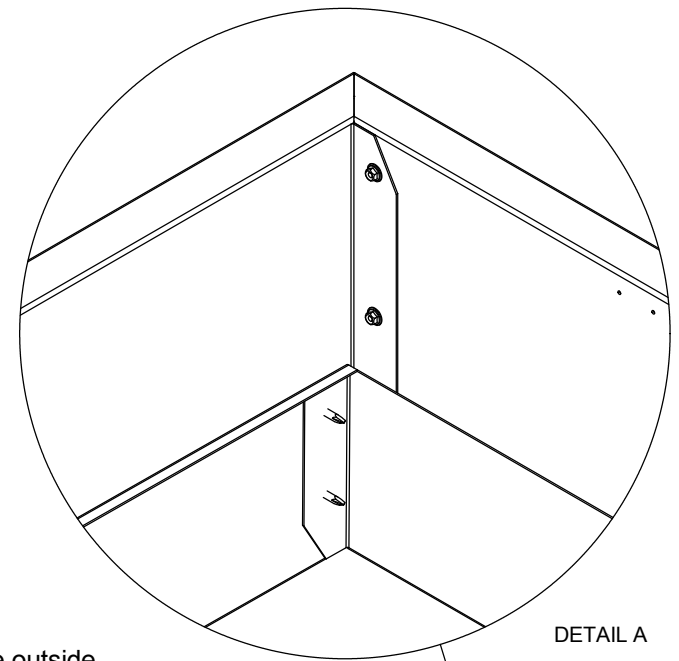
Flash in the curb according to governing plans and codes.

STEP 7 : DUCTING

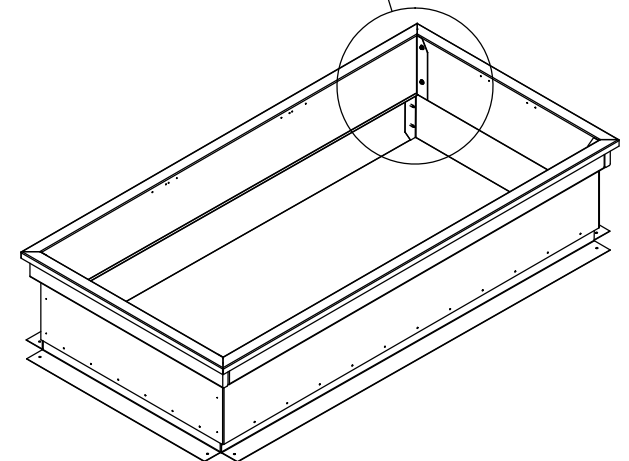
Construct ductwork per Table 1. NOTE: Attach the ductwork to the curb, NOT THE UNIT (flanges of duct rest on curb and duct supports).

STEP 8 : INSULATED PANELS & GASKETING

Install insulated panels together with flanges facing down. Place panels on side rails as shown allowing flanged portion of panels to rest on the side rails (gasket will hold in place). Remove paper backing from the provided gasketing and apply to top perimeter of roof curb and duct supports.



DETAIL A



RECOMMENDED DUCT SIZES		
	SUPPLY	RETURN
471	19 1/4" X 29 1/4"	19 1/4" X 29 1/4"

IMPORTANT

THE GASKETING OF THE UNIT TO THE ROOF CURB IS CRITICAL FOR WATERTIGHTNESS. INSTALL GASKET SUPPLIED WITH ROOF CURB AS DESCRIBED IN STEP 8. IMPROPERLY APPLIED GASKET CAN RESULT IN LEAKS AND POOR UNIT PERFORMANCE.

Cambridgeport™

North 1-800-648-2872/FAX 978-462-9189

South 1-877-648-2872/FAX 901-566-0035