

Cambridgeport

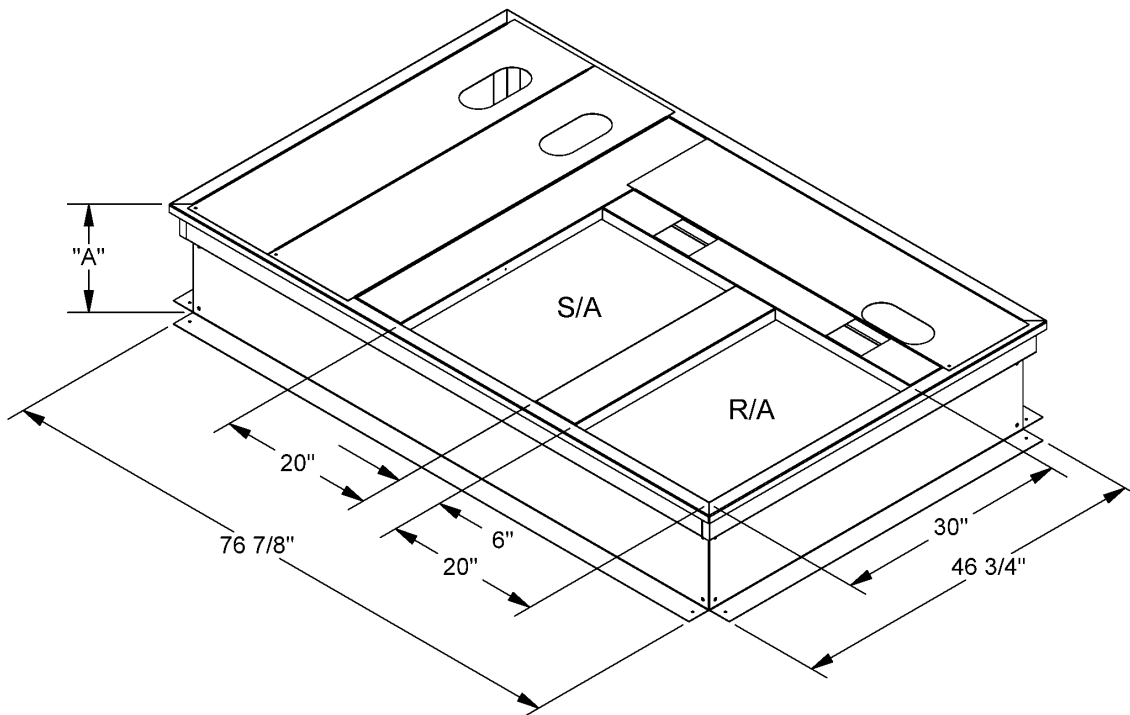
SUBMITTAL

SUBMITTED TO _____
 COMPANY _____
 JOB NAME _____
 EQUIPMENT _____
 SIGNATURE _____
 DATE _____

ROOF CURBS FOR YORK ROOFTOP UNITS

BP, DH, DM, 078-150
 XP, ZF, ZH, ZJ, ZR, 078-150
 ZH, ZJ, ZR 037 & 049 & 061
 DF 078-120
 DR 090-150
 DJ150

| PART # | | PART # | CURB HEIGHT |
|---------|---------|-----------|-------------|
| CAS | YORK | INSULATED | "A" |
| 1001586 | 1RCO471 | 1001842 | 14" |
| 1004357 | 1RCO470 | 1004358 | 8" |
| 1001538 | N/A | 1004359 | 18" |
| 1001831 | 1RCO476 | 1004360 | 24" |



FEATURES

- MITERED TOP CORNERS
- ROOF CURB IS FABRICATED OF 18GA G90 GALVANIZED STEEL
- FULL PERIMETER WOOD NAILER
- PRE-PUNCHED ASSEMBLY HOLES AND HARDWARE INCLUDED FOR DUCT SUPPORT INSTALLATION
- ROOF CURB IS SHIPPED UNASSEMBLED
- * CURBS ARE INTERNALLY INSULATED WITH 1" THICK 1-1/2 LB DENSITY DUCT LINER

