

# SUBMITTAL

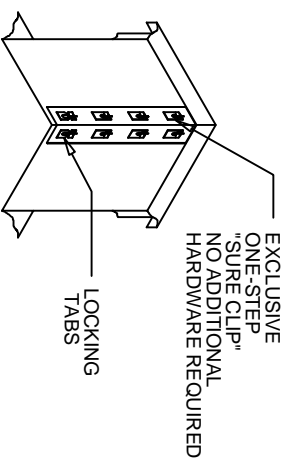
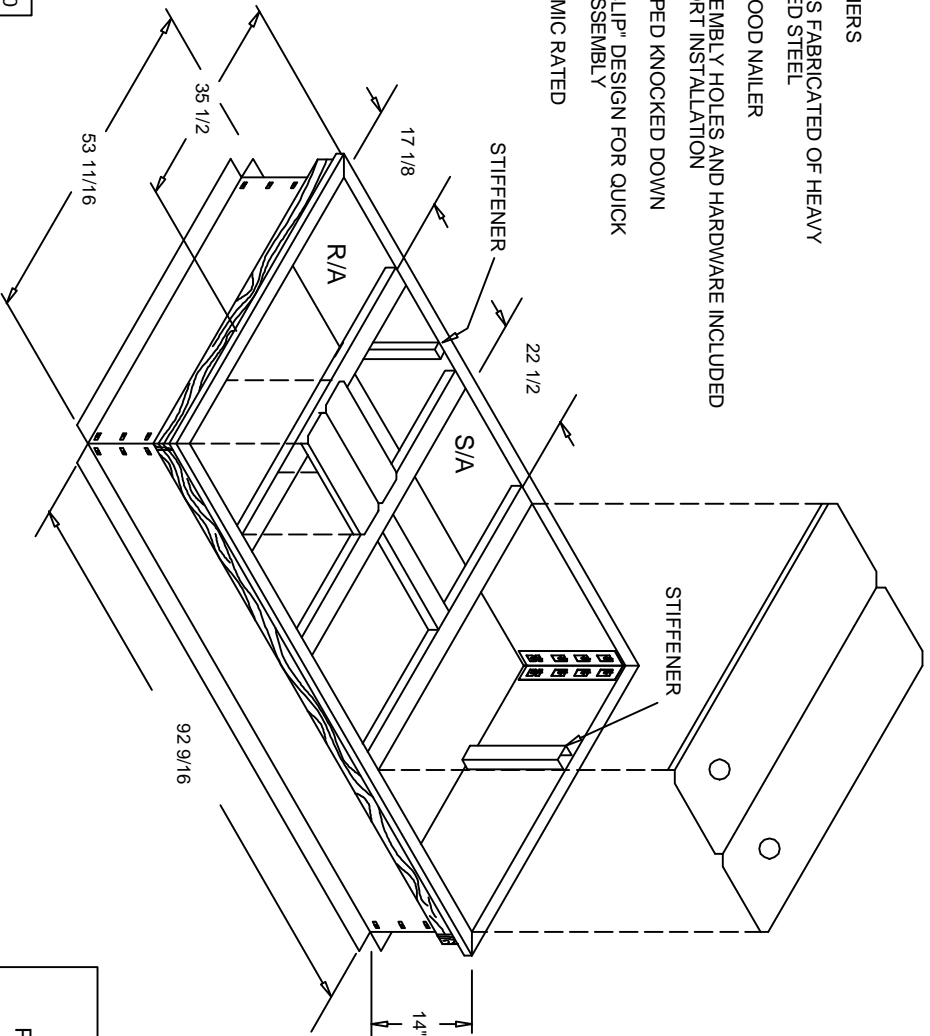
DATE: \_\_\_\_\_  
 PROJECT: \_\_\_\_\_  
 EQUIPMENT: \_\_\_\_\_  
 SUBMITTED BY: \_\_\_\_\_  
 NOTES: \_\_\_\_\_

# SURE-LOCK ROOF CURB

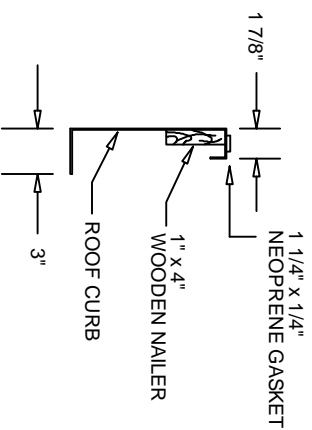
CARRIER UNITS  
 48PG 08-14  
 PART NUMBER  
 CARRIER CAMBRIDGEPORT  
 CRRFCURB031A00SL

### FEATURES:

- MITERED TOP CORNERS
- ROOF CURB BODY IS FABRICATED OF HEAVY GAUGE GALVANIZED STEEL
- FULL PERIMETER WOOD NAILER
- PRE-PUNCHED ASSEMBLY HOLES AND HARDWARE INCLUDED FOR DUCT SUPPORT INSTALLATION
- ROOF CURB IS SHIPPED KNOCKED DOWN
- EXCLUSIVE "SURE CLIP" DESIGN FOR QUICK AND EASY FIELD ASSEMBLY
- ROOF CURB IS SEISMIC RATED



CURB  
 CORNER SECTION  
 (U.S. PATENT)  
 (# 5465533)



CURB  
 CROSS SECTION

DATE:04-27-06 REV: 00

CAMBRIDGEPORT AIR SYSTEMS  
 SALISBURY, MA 01952  
 PHONE 1-800-648-2872 FAX 978-462-9189