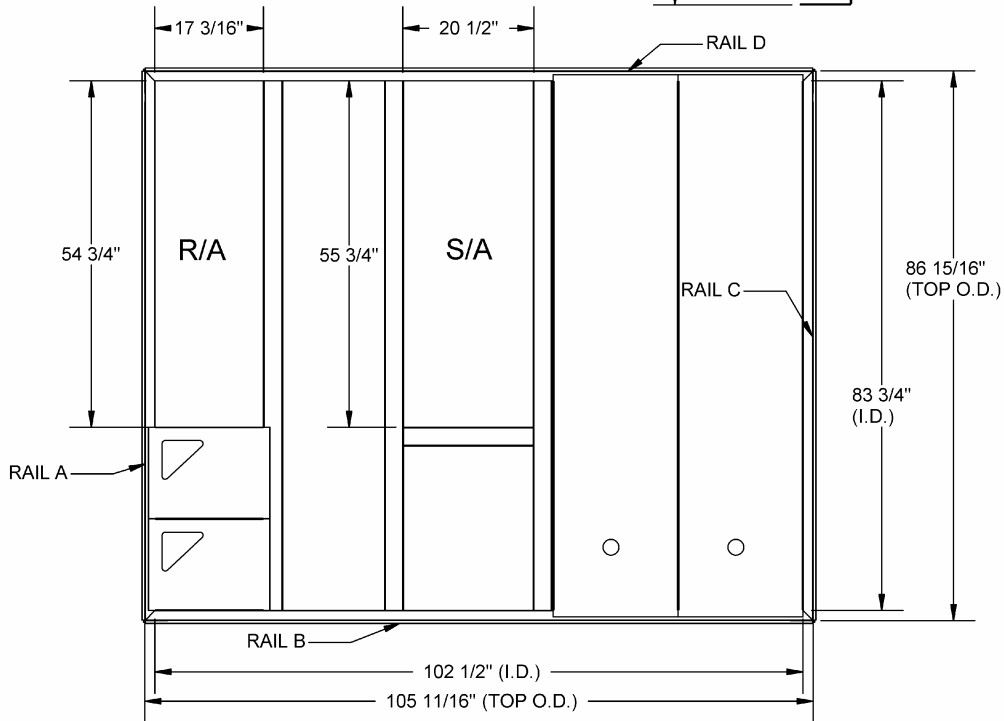
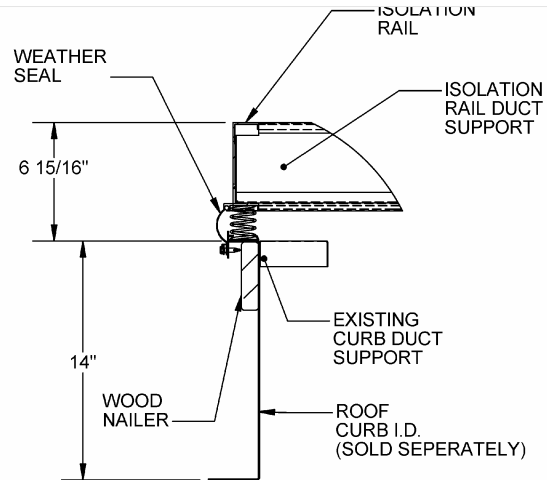


ISOLATION RAILS FOR CARRIER UNITS 48/50 PG 16

FEATURES

- MITERED TOP CORNERS
- FABRICATED OF ALUMINUM EXTRUSION
- FULL PERIMETER WEATHER SEAL
- 1" OR 2" STATIC DEFLECTION
- DUCT SUPPORTS INCLUDED
- INSTALLATION INSTRUCTIONS INCLUDED
- CANVAS DUCT CONNECTION NOT INCLUDED
- *KD- KNOCKED DOWN
- *ASD- ASSEMBLED



PART #		
	DEFLECTION	C.A.S.
ISOLATION RAIL KD	1 INCH	1006106
ISOLATION RAIL KD	2 INCH	1006107
ISOLATION RAIL ASD	1 INCH	1006108
ISOLATION RAIL ASD	2 INCH	1006109