

Cambridgeport

North 800-648-2872/Fax 978-462-9189
 South 877-648-2872/Fax 901-566-0035

ROOF CURBS FOR CARRIER UNITS 48/50 PG 08-14

FEATURES:

MITERED TOP CORNERS

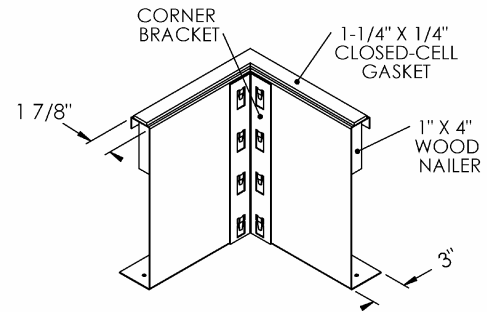
ROOF CURB BODY IS FABRICATED OF HEAVY GAUGE GALVANIZED STEEL

FULL PERIMETER WOOD NAILER

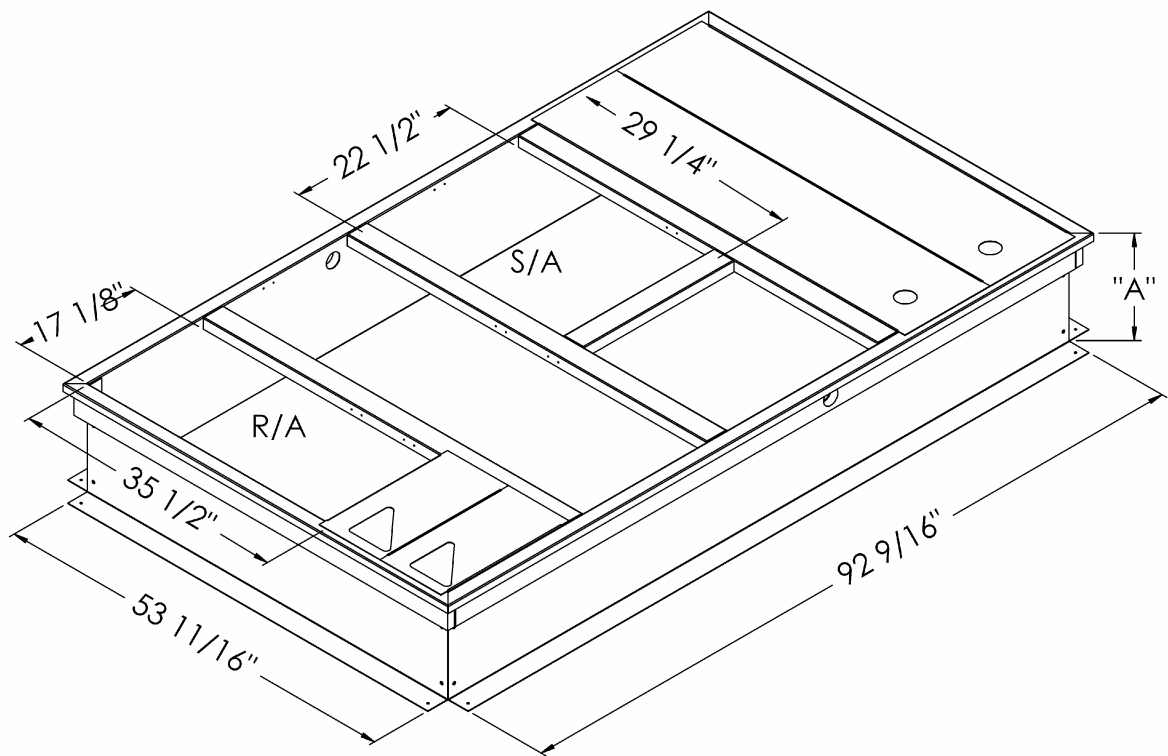
PRE-PUNCHED ASSEMBLY HOLES AND HARDWARE INCLUDED FOR DUCT SUPPORT INSTALLATION

ROOF CURB IS SHIPPED UNASSEMBLED

*CURBS ARE INTERNALLY INSULATED WITH 1" THICK 1-1/2 POUND DENSITY DUCTLINER



CURB CORNER SECTION



PART #		CURB HEIGHT
C.A.S.	*INSULATED	"A"
1005905	1006611	14"
1006610	1006612	18"
1005906	1006613	24"