

Cambridgeport

North 800-648-2872/Fax 978-462-9189
 South 877-648-2872/Fax 901-566-0035

ROOF CURBS FOR LENNOX ROOFTOP UNITS

LGA, LCA, LGC, LCC 036, 042, 048, 060 & 072

"L" Series A Box

FEATURES

MITERED TOP CORNERS

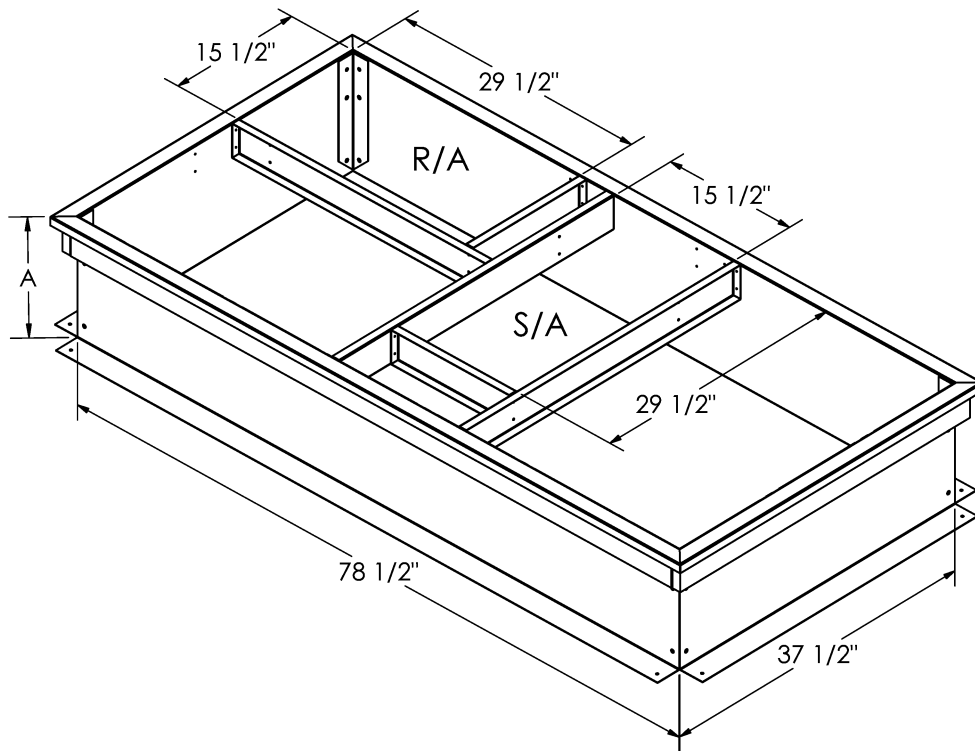
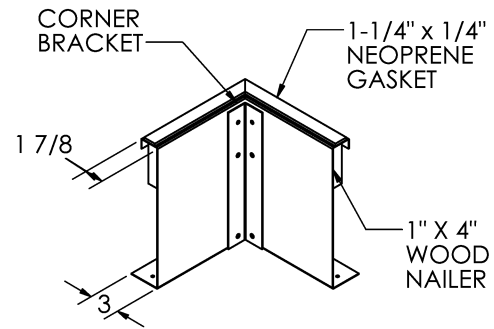
ROOF CURB BODY IS FABRICATED OF HEAVY GAUGE GALVANIZED STEEL

FULL PERIMETER WOOD NAILER

PRE-PUNCHED ASSEMBLY HOLES AND HARDWARE INCLUDED FOR DUCT SUPPORT INSTALLATION

ROOF CURB IS SHIPPED UNASSEMBLED

OPTIONAL- INTERNALLY INSULATED WITH 1" THICK 1-1/2 POUND DENSITY DUCTLINER



CURB HEIGHT	PART #	
	UNINSULATED	*INSULATED*
"A"		
8"	1007714	1007718
14"	1007715	1007719
18"	1007716	1007720
24"	1007717	1007721