

# Cambridgeport

North 800-648-2872/Fax 978-462-9189  
 South 877-648-2872/Fax 901-566-0035

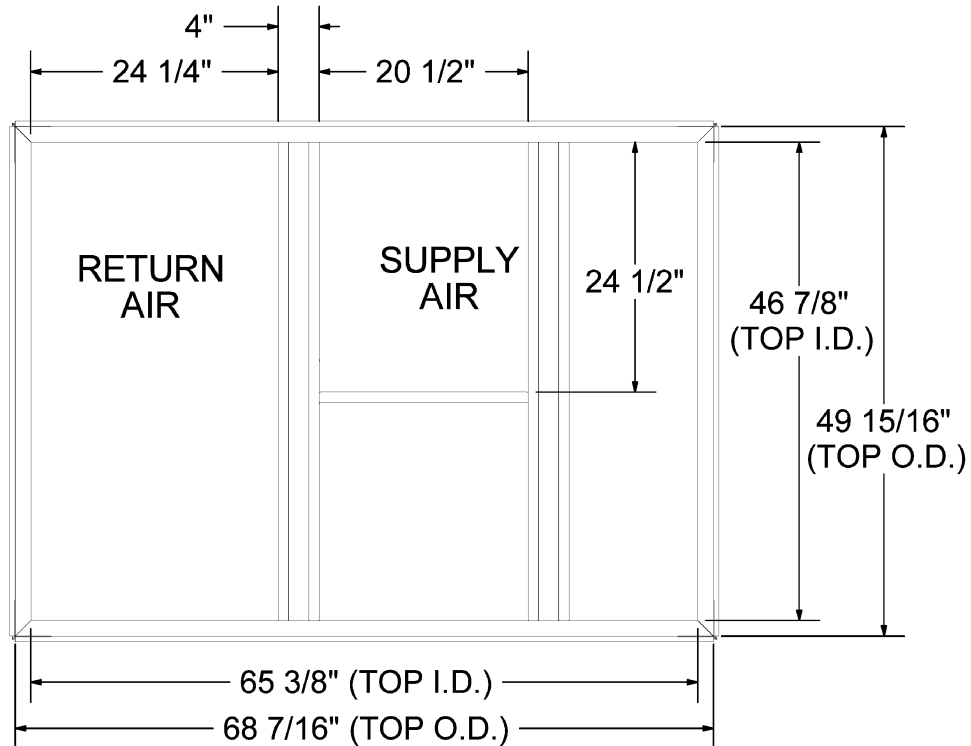
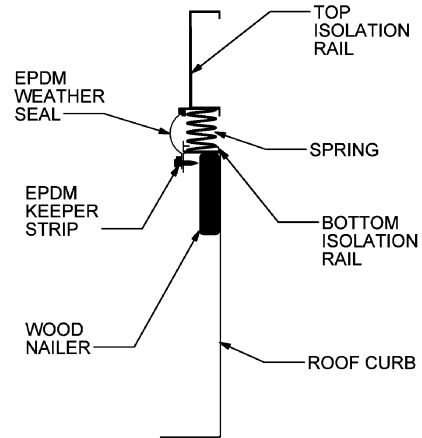
## ISOLATION CURBS FOR LENNOX

### ROOFTOP UNITS

CHP16, GCS16 048, 060  
 GCS20 042, 048 060

#### FEATURES

- ASSEMBLED TO SUPPLIED ROOF CURB
- MITERED TOP CORNERS
- FABRICATED OF EXTRUDED ALUMINUM
- FULL PERIMETER WEATHER SEAL
- 1" OF 2" STATIC DEFLECTION
- DUCT SUPPORTS INCLUDED
- INSTALLATION INSTRUCTIONS INCLUDED
- CANVAS DUCT CONNECTIONS NOT INCLUDED



PART #		
DEFLECTION	LENNOX	C.A.S.
1 INCH	N/A	1007796
2 INCH	N/A	1007797