

Cambridgeport

North 800-648-2872/Fax 978-462-9189
 South 877-648-2872/Fax 901-566-0035

BURGLAR BAR INSERTS FOR LENNOX

ROOFTOP UNITS

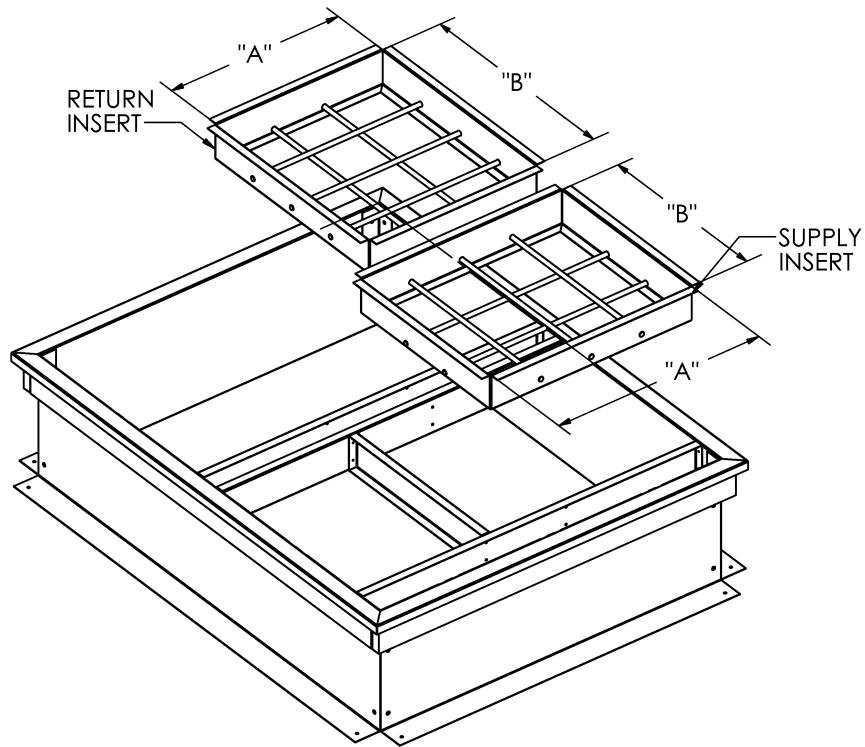
CHP16, GCS16 024, 030, 036
 GCS20 024, 030, 036

FEATURES

- BURGLAR BAR INSERTS ARE FABRICATED OF 18 GA GALVANIZED STEEL AND 1/2" STEEL ROD
- ONE PIECE WELDED CONSTRUCTION
- FACTORY PAINTED
- DISTANCE BETWEEN STEEL RODS IS NOT GREATER THAN 6"

OPTIONS

- 5/8" STEEL ROD
- OPENINGS GREATER THAN 6 INCHES



INSERT	DIMENSIONS		CAS PART #
	"A"	"B"	
SUPPLY	24"	20 1/16"	1007831
RETURN	20"	23 7/8"	