

Cambridgeport

North 800-648-2872/Fax 978-462-9189
South 877-648-2872/Fax 901-566-0035

**BURGLAR BAR INSERTS FOR LENNOX
ROOFTOP UNITS**
TGA, TGB 036, 048, 060, 072
"T" Class A Box

FEATURES

BURGLAR BAR INSERTS ARE FABRICATED OF 18 GA GALVANIZED STEEL AND 1/2" STEEL ROD

ONE PIECE WELDED CONSTRUCTION

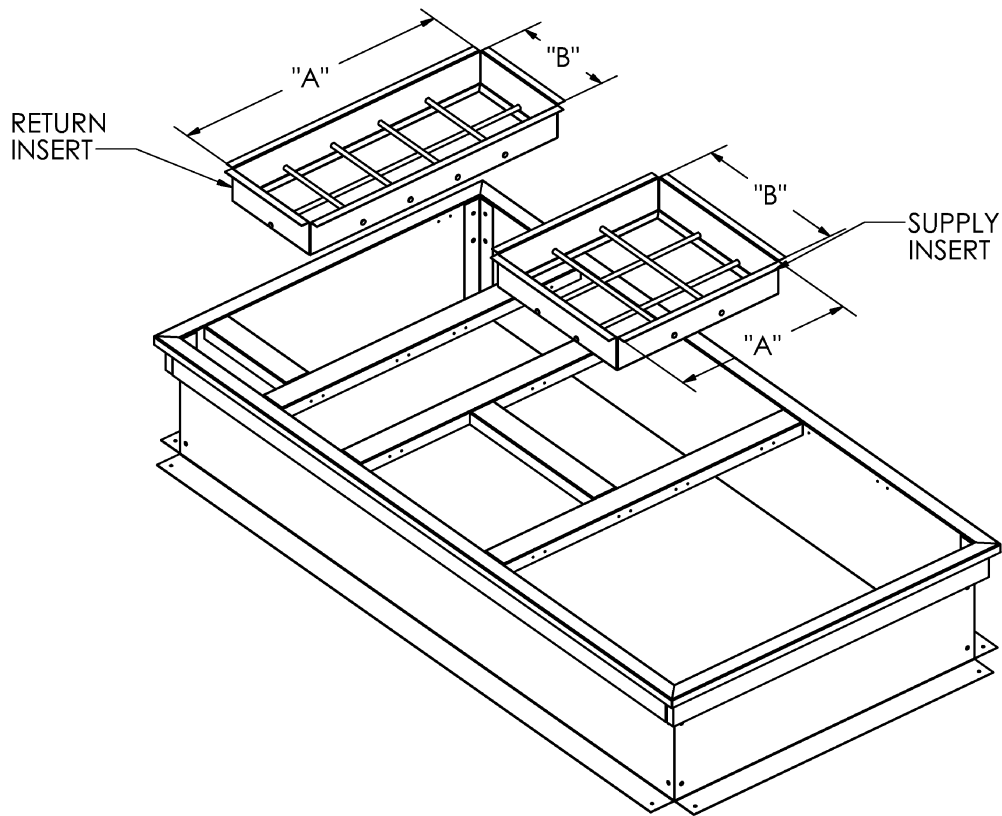
FACTORY PAINTED

DISTANCE BETWEEN STEEL RODS IS NOT GREATER THAN 6"

OPTIONS

5/8" STEEL ROD

OPENINGS GREATER THAN 6 INCHES



INSERT	DIMENSIONS		CAS
	"A"	"B"	PART #
SUPPLY	20 1/2"	18 1/2"	1007833
RETURN	31 1/2"	12"	