

# Cambridgeport

North 800-648-2872/Fax 978-462-9189  
 South 877-648-2872/Fax 901-566-0035

## ADJUSTABLE SLOPE ROOF CURB

### FOR LENNOX ROOFTOP UNITS

LGA, LCA 248  
 LGC, LCC 360  
 LGC, LCC 300H

“L” Series D Box

#### FEATURES:

FULLY ADJUSTABLE HEIGHT AND PITCH  
 UP TO 3/4" PER FOOT LONG SIDE  
 UP TO 7/8" PER FOOT SHORT SIDE

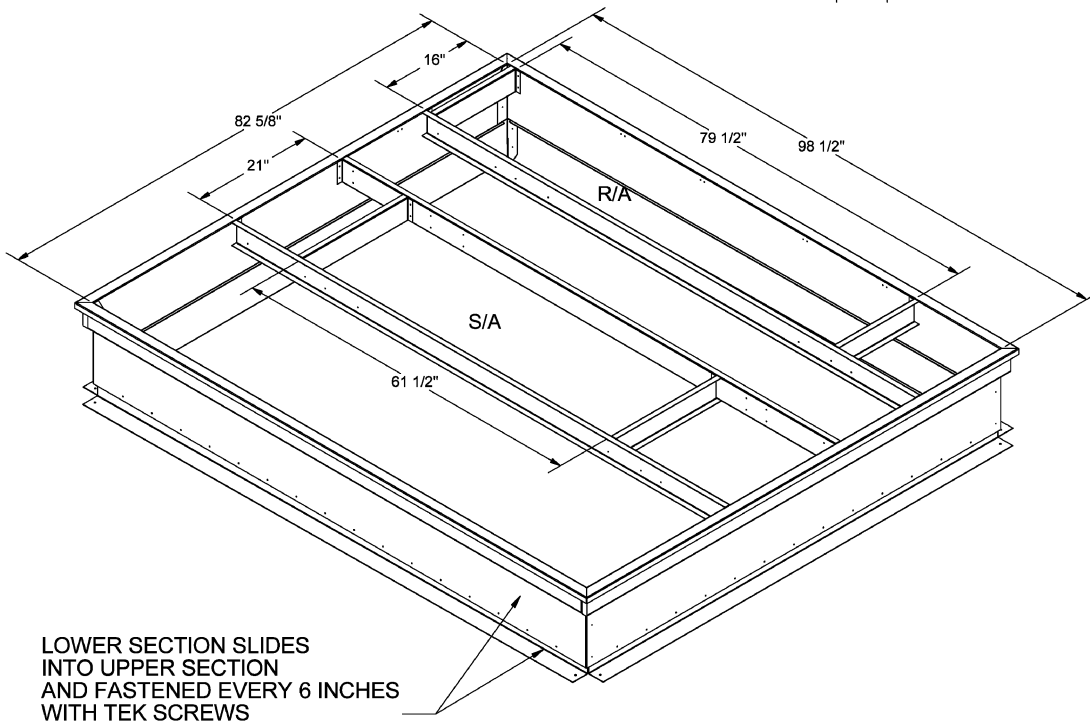
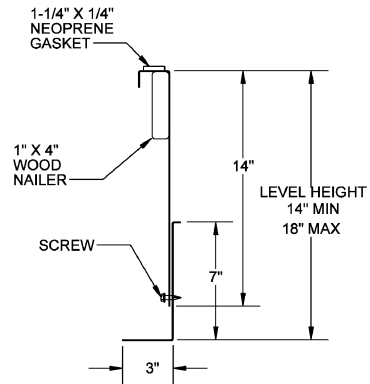
MITERED TOP CORNERS

ROOF CURB IS FABRICATED OF HEAVY  
 GAUGE GALVANIZED STEEL

FULL PERIMETER WOOD NAILER

PRE-PUNCHED ASSEMBLY HOLES AND HARDWARE  
 INCLUDED FOR DUCT SUPPORT INSTALLATION

ROOF CURB IS SHIPPED KNOCKED DOWN



PART #	
LENNOX	C.A.S.
N/A	1007838