

Cambridgeport

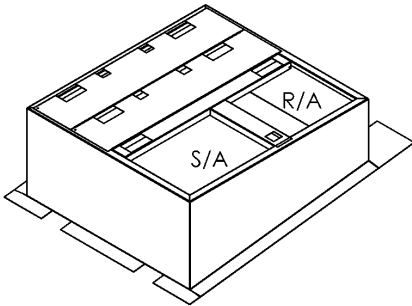
SUBMITTAL

SUBMITTED TO _____
 COMPANY _____
 JOB NAME _____
 EQUIPMENT _____
 SIGNATURE _____
 DATE _____

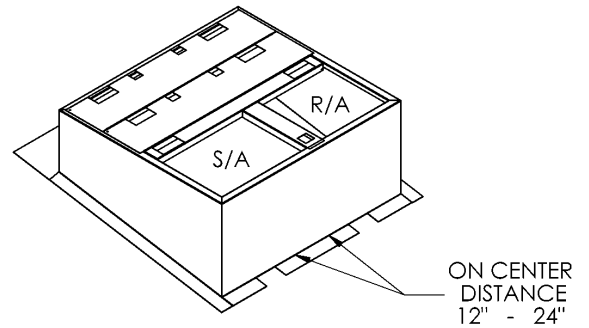
**ROOF CURBS FOR METAL RIB /
 STANDING SEAM DECKS
 YORK ROOFTOP UNITS
 BHA, BHH, DEB, DEH, DNA, DNH 018-060
 BHP, BHQ, BHX, BHZ 024-060
 DEM, DEQ, DEX, DEZ, 024-060
 DEY 060
 DNP, DNQ, DNX, DNY, DNZ 024-060**

**PART #
 1009800**

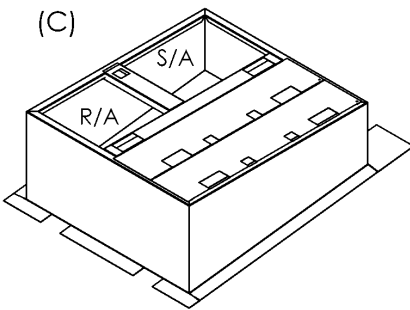
(A)



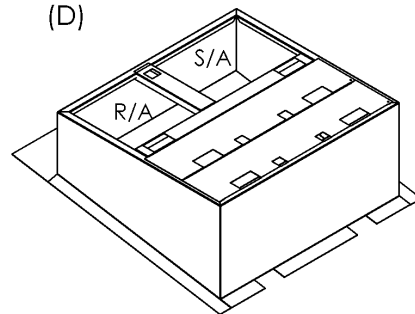
(B)



(C)



(D)



FEATURES

ONE-PIECE WELDED CONSTRUCTION
 ALL WELDS SPRAYED WITH GALVANIZING COMPOUND
 FULLY INSULATED WITH 1-1/2 3LB DENSITY RIGID INSULATION
 FABRICATED OF HEAVY GAUGE GALVANIZED STEEL
 SLOPE DESIGN FOR EVEN WEIGHT DISTRIBUTION TO EXISTING CURB
 GASKET PROVIDED FOR UNIT TO ADAPTER SEALING

Confirm the slope direction and duct orientation by circling one of the four diagrams above.

A manufactures drawing and or sample of the roof deck is require.