

Cambridgeport

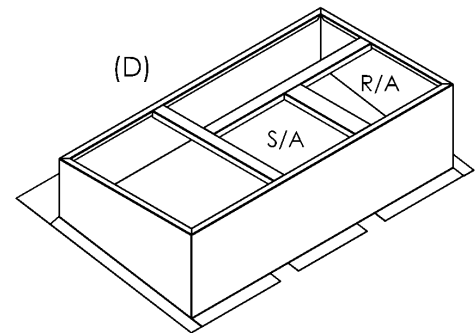
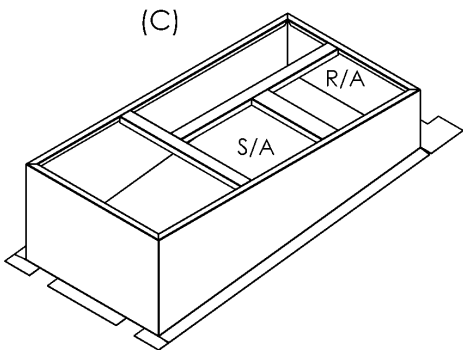
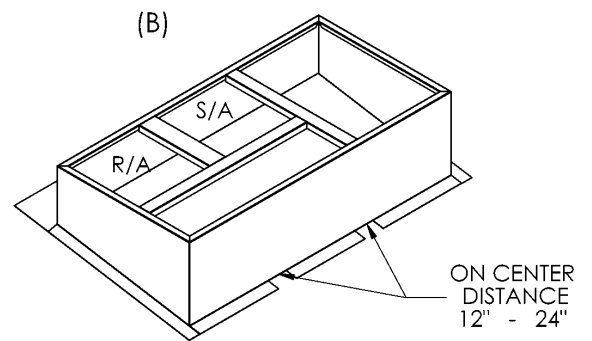
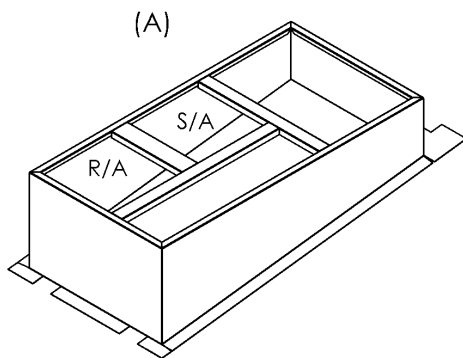
SUBMITTAL

SUBMITTED TO _____
COMPANY _____
JOB NAME _____
EQUIPMENT _____
SIGNATURE _____
DATE _____

ROOF CURB FOR METAL RIB / STANDING SEAM DECKS YORK ROOFTOP UNITS

BQ, DJ, DH, DM, DY, XP, ZJ, ZR, 036-060
BCH, DEE, DEG, DHE, DHG 036-060
DEG, DCE, BP, DF, DM, DR, ZF 036-072
**Note: Units with Bottom condensate Drain
require 1RCO442. Call for Pricing**

PART #
1009803



FEATURES

ONE-PIECE WELDED CONSTRUCTION
ALL WELDS SPRAYED WITH GALVANIZING COMPOUND
FULLY INSULATED WITH 1-1/2 3LB DENSITY RIGID INSULATION
FABRICATED OF HEAVY GAUGE GALVANIZED STEEL
SLOPE DESIGN FOR EVEN WEIGHT DISTRIBUTION TO EXISTING CURB
GASKET PROVIDED FOR UNIT TO ADAPTER SEALING

Confirm the slope direction and duct orientation
by circling one of the four diagrams above.

A manufactures drawing and or sample of the
roof deck is require.