

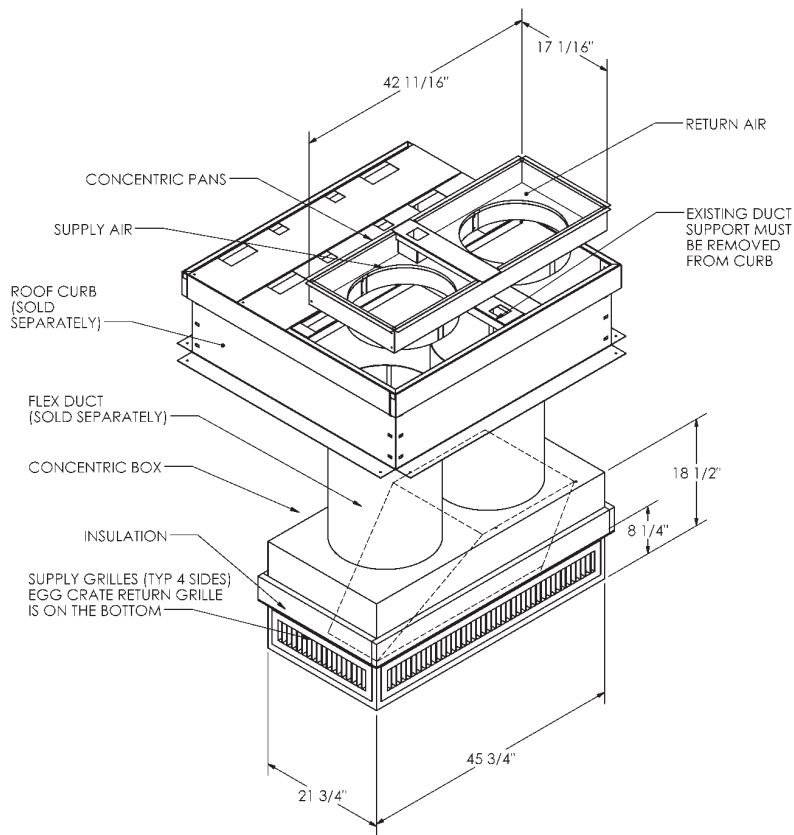
# Cambridgeport

## SUBMITTAL

SUBMITTED TO \_\_\_\_\_  
 COMPANY \_\_\_\_\_  
 JOB NAME \_\_\_\_\_  
 EQUIPMENT \_\_\_\_\_  
 SIGNATURE \_\_\_\_\_  
 DATE \_\_\_\_\_

**CONCENTRIC KITS DROP BOX  
 FLEX FOR YORK ROOFTOP UNITS**  
 BHA, BHH, DEB, DEH, DNA, DNH 018-060  
 BNP, BHP 024-048; DEM 036-060  
 DEZ, DNZ, DNY, DNX 024-060

Description	York Units	Part #
Drop Box 16" flex	018-036	1009816



## FEATURES

- CONCENTRIC INSERT PANS ARE INSULATED INTERNALLY AND SHIPPED ASSEMBLED
- CONCENTRIC BOX FABRICATED OF HEAVY GALVANIZED STEEL AND INTERNALLY INSULATED
- DOUBLE DEFLECTION GRILLE PAINTED OFF-WHITE
- CONCENTRIC BOX AND DIFFUSER ARE SHIPPED ASSEMBLED

Nominal CFM	Throw in Ft.	
	Min	Max
1,600 - 2,000	11	24