

Cambridgeport

SUBMITTAL

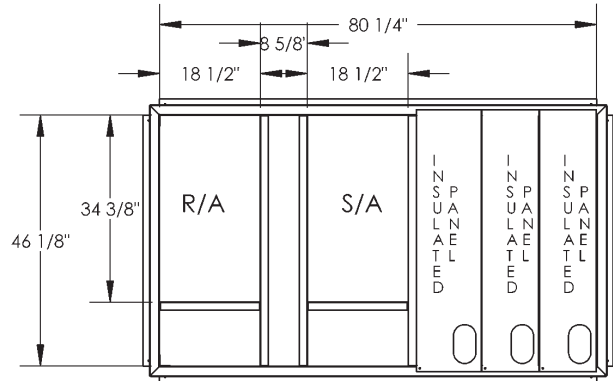
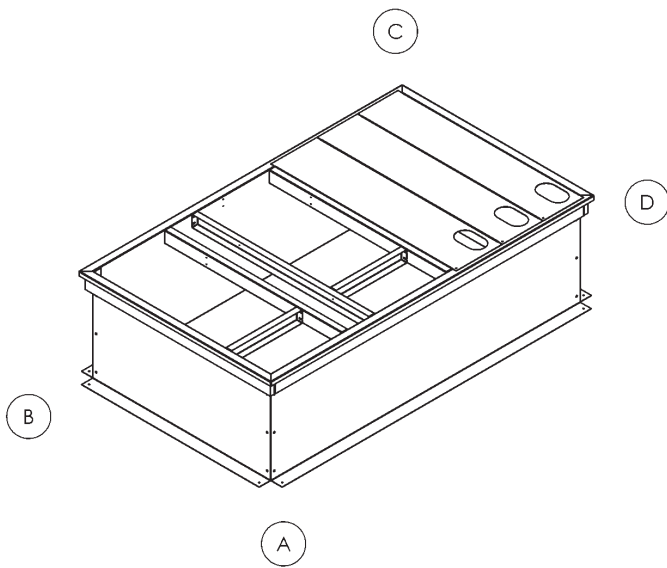
SUBMITTED TO _____
 COMPANY _____
 JOB NAME _____
 EQUIPMENT _____
 SIGNATURE _____
 DATE _____

SLOPE ROOF CURB FOR TRANE ROOFTOP UNITS

Y*C, T*C 072A, 090A, 092A
 Y*C, T*C 102A, 120A
 YHC 048E, 060E, 072E
 WSC 072A, 102A, 120A

PART

Slope Roof Curb over 1" up to 2" per Ft. 1010002
 Slope Roof Curb 2" up to 3" per Ft. 1010003



HEIGHT OF CORNER A	HEIGHT OF CORNER B	HEIGHT OF CORNER C	HEIGHT OF CORNER D

