

DATE: _____

COMPANY: _____

JOB NAME: _____

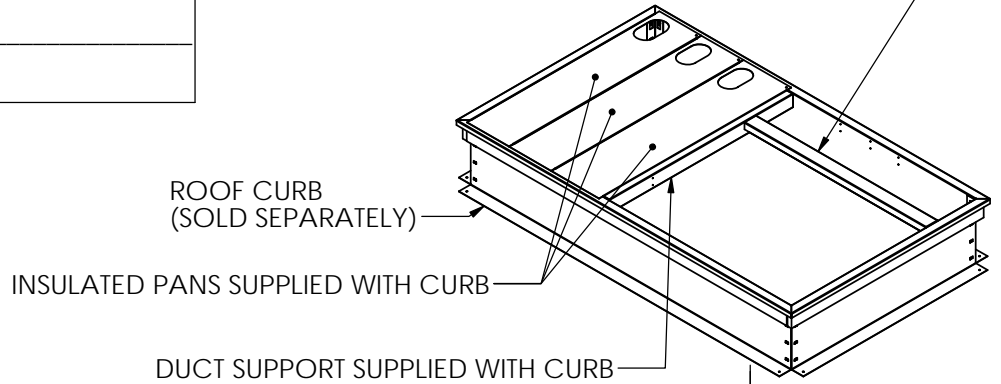
SUBMITTED BY: _____

NOTES: _____

**DROP BOX HARD DUCT
SUBMITTAL DATA FOR:**

**TRANE UNITS
Y*C,T*C 072A, 090A, 092A,092E,102A
YHC 048E,060E,072E, WSC 072A, 102A**

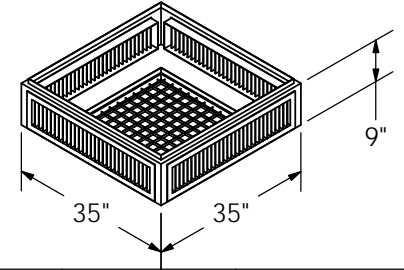
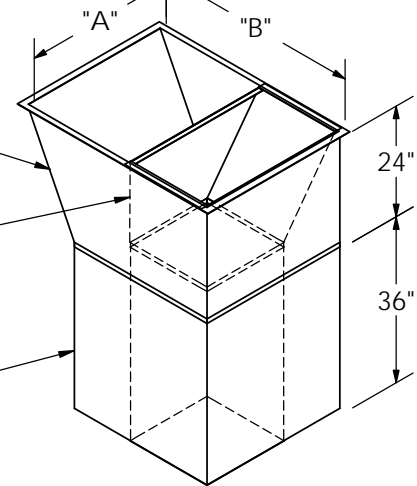
INSTALL NEW DUCT SUPPORT
(PROVIDED WITH DUCT KIT)



INSULATED SUPPLY AIR
TRANSITION DUCT

INSULATED RETURN AIR
TRANSITION DUCT

SUPPLY DUCT MUST BE
FIELD SUPPORTED



FEATURES:

DROP BOX SHIPPED ASSEMBLED, INSULATED WITH 1" INSULATION
PAINTED WHITE WITH DOUBLE DEFLECTION SUPPLY GRILLES
AND EGG CRATE RETURN

SUPPLY DUCT INSULATED WITH 1" INSULATION

RETURN DUCT INSULATED WITH 1/2" INSULATION

CAMBRIDGEPORT PART NUMBER	APPLICABLE CURB MODEL NUMBERS	"A"	"B"	SUPPLY GRILL	RETURN GRILL	NOMINAL CFM	THROW IN FT.	
							MIN	MAX
1010010	BAYCURB043/044	33 1/4"	45"	(4)-30 X 6	20" X 20"	3,000	24'	44'

NOTES:

- 1 - DO NOT INSTALL FACTORY SUPPLIED DUCT SUPPORTS UNLESS NOTED IN ASSEMBLY INSTRUCTIONS
- 2 - INSTALL CONCENTRIC DUCTWORK BEFORE SETTING A/C UNIT IN PLACE
- 3 - PLACE GASKETING ON ALL SURFACES OF DUCT FLANGE AND CURB
- 4 - ALIGN TRANE UNIT SUPPLY OPENING TO MATCH SUPPLY OPENING OF CONCENTRIC DUCT KIT
- 5 - FIELD BAFFLES MAY BE REQUIRED FOR BALANCING
- 6 - FOR INSTALLATION SEE ASSEMBLY INSTRUCTIONS

Drawn By: CRF
Date: 2/13/08 Rev. 0
CDM 3/16/11 Rev. 1

**Cambridgeport
AIR SYSTEMS**

MEMPHIS, TN 38118

PHONE 1-877-648-2872 FAX 901-566-0035

SALISBURY, MA 01952

PHONE 1-800-648-2872 FAX 978-462-9189

