

Cambridgeport

SUBMITTAL

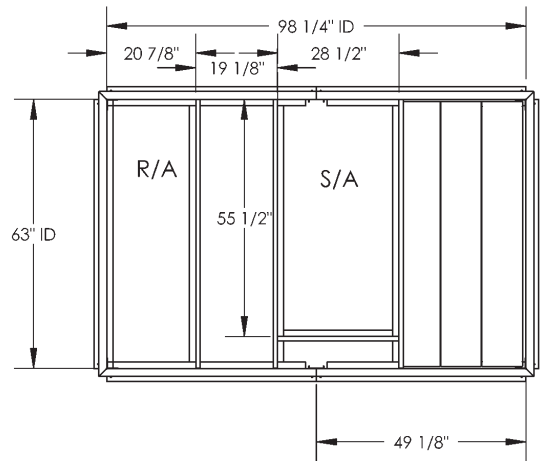
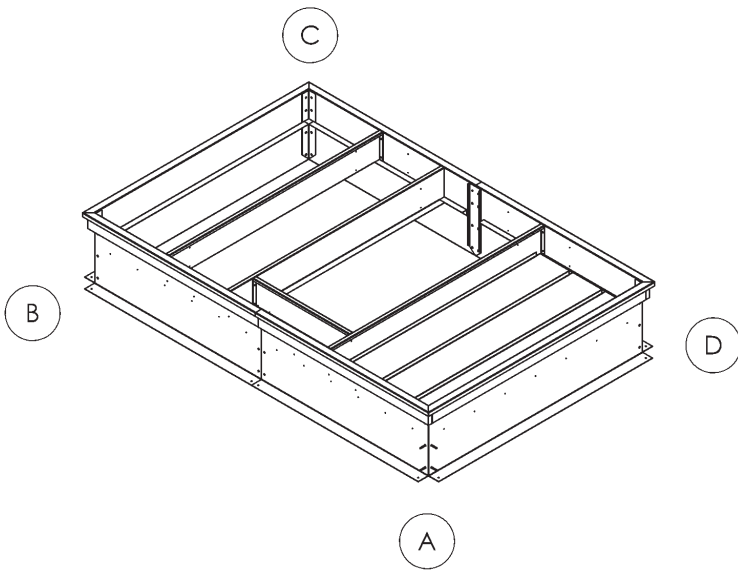
SUBMITTED TO _____
 COMPANY _____
 JOB NAME _____
 EQUIPMENT _____
 SIGNATURE _____
 DATE _____

SLOPE ROOF CURB FOR TRANE ROOFTOP UNITS

YCD, TCD 121C, 151C, 180B, 210C
 WCD 150B

PART

Slope Roof Curb over 1" up to 2" per Ft. 1010018
 Slope Roof Curb 2" up to 3" per Ft. 1010019



HEIGHT OF CORNER A	HEIGHT OF CORNER B	HEIGHT OF CORNER C	HEIGHT OF CORNER D

