

Cambridgeport

SUBMITTAL

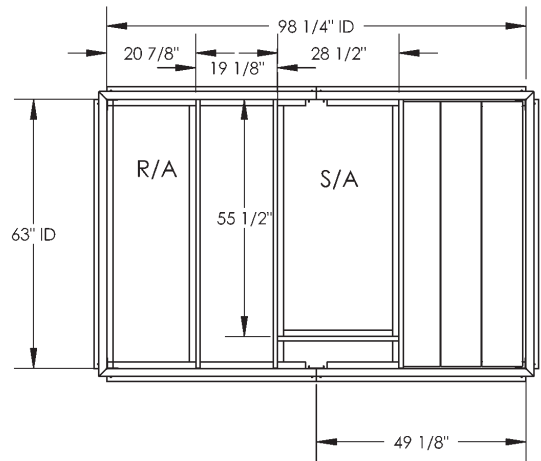
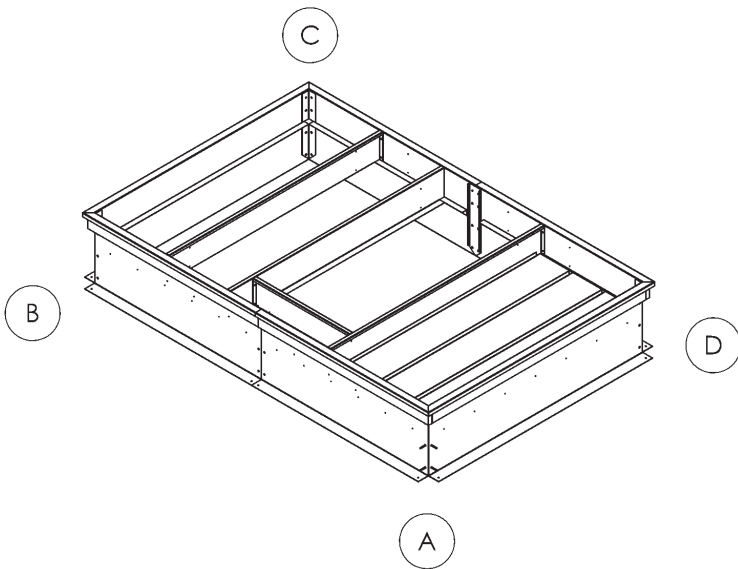
SUBMITTED TO _____
 COMPANY _____
 JOB NAME _____
 EQUIPMENT _____
 SIGNATURE _____
 DATE _____

SLOPE ROOF CURB FOR TRANE ROOFTOP UNITS

YCD, TCD 121C, 151C, 180B, 210C
 WCD 150B

PART

Slope Roof Curb over 1" up to 2" per Ft. **1010018**
 Slope Roof Curb 2" up to 3" per Ft. **1010019**



HEIGHT OF CORNER A	HEIGHT OF CORNER B	HEIGHT OF CORNER C	HEIGHT OF CORNER D

