

Cambridgeport

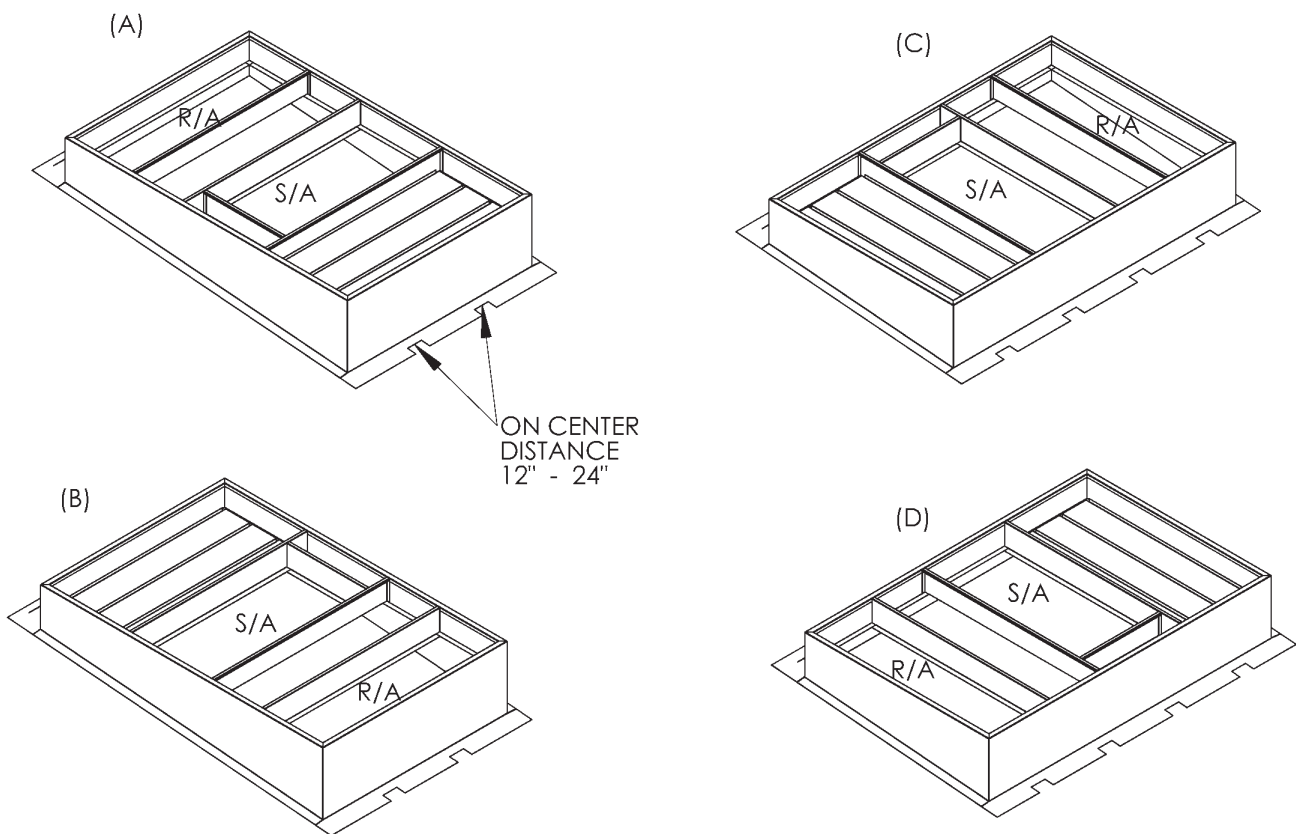
SUBMITTAL

SUBMITTED TO _____
COMPANY _____
JOB NAME _____
EQUIPMENT _____
SIGNATURE _____
DATE _____

ROOF CURB FOR METAL RIB / STANDING SEAM DECKS TRANE ROOFTOP UNITS

YCD, TCD 121C, 151C, 180B, 210C
WCD 150B

PART #
1010020



Confirm the slope direction and duct orientation by circling one of the four diagrams above.

A manufactures drawing and or sample of the roof deck is require.