

DATE: \_\_\_\_\_

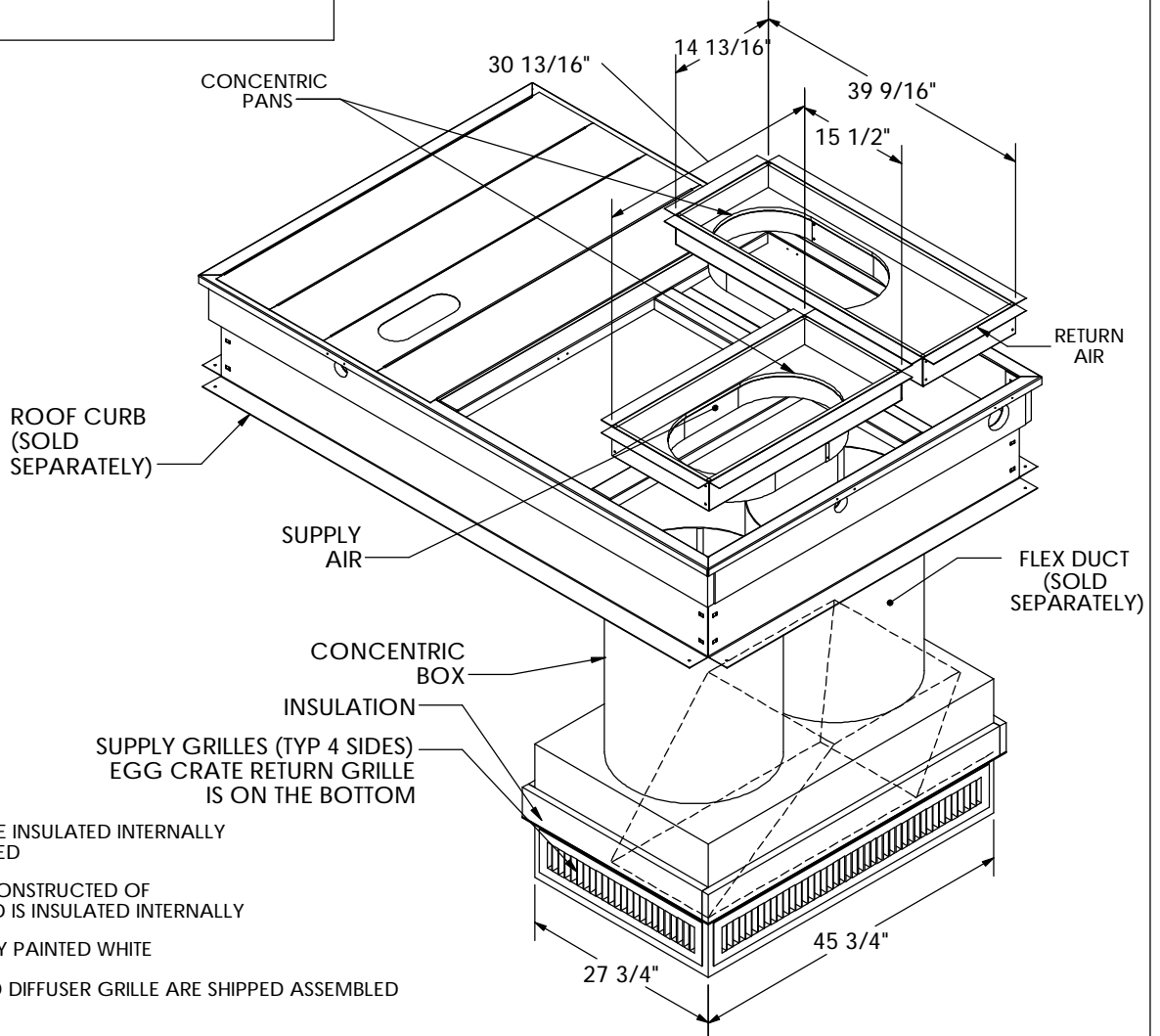
COMPANY: \_\_\_\_\_

JOB NAME: \_\_\_\_\_

SUBMITTED BY: \_\_\_\_\_

NOTES: \_\_\_\_\_

**DROP BOX FLEX DUCT CONCENTRIC KIT**  
**SUBMITTAL DATA FOR:**  
**CARRIER UNITS**  
**48/50 GJ, HJ, TF, TM 008-009**  
**BRYANT UNITS**  
**548C, D,F; 551A,B; 558C, D, F;**  
**580C, D,F; 581A, B; 549B 090-102**



**FEATURES:**

CONCENTRIC PANS ARE INSULATED INTERNALLY AND SHIPPED ASSEMBLED

CONCENTRIC BOX IS CONSTRUCTED OF GALVANIZED STEEL AND IS INSULATED INTERNALLY

LOWER BOX IS FACTORY PAINTED WHITE

CONCENTRIC BOX AND DIFFUSER GRILLE ARE SHIPPED ASSEMBLED

CAMBRIDGEPORT PART NUMBER	DUCT SIZE	APPLICABLE CURB MODEL NUMBERS	FLEX (SOLD SEPARATELY)	NOMINAL CFM	THROW IN FT.	
					MIN	MAX
1010295	2 @ 20"	CRRFCURB003A00SL	1000090 (2-20")	3000-3400	20	31

**NOTES:**

- 1 - INSTALL INSULATED ADAPTER PANS BEFORE A/C UNIT IS PLACED ON CURB.
- 2 - FIELD BAFFLES MAY BE REQUIRED FOR BALANCING
- 3 - CONCENTRIC BOX MUST BE FIELD SUPPORTED

Drawn By: CJT  
 Date: 12/12/07 Rev: 0  
 KML 1/7/10 Rev 1

# Cambridgeport

## AIR SYSTEMS

MEMPHIS, TN 38118

PHONE 1-877-648-2872 FAX 901-566-0035

SALISBURY, MA 01952

PHONE 1-800-648-2872 FAX 978-462-9189