

DATE: \_\_\_\_\_

COMPANY: \_\_\_\_\_

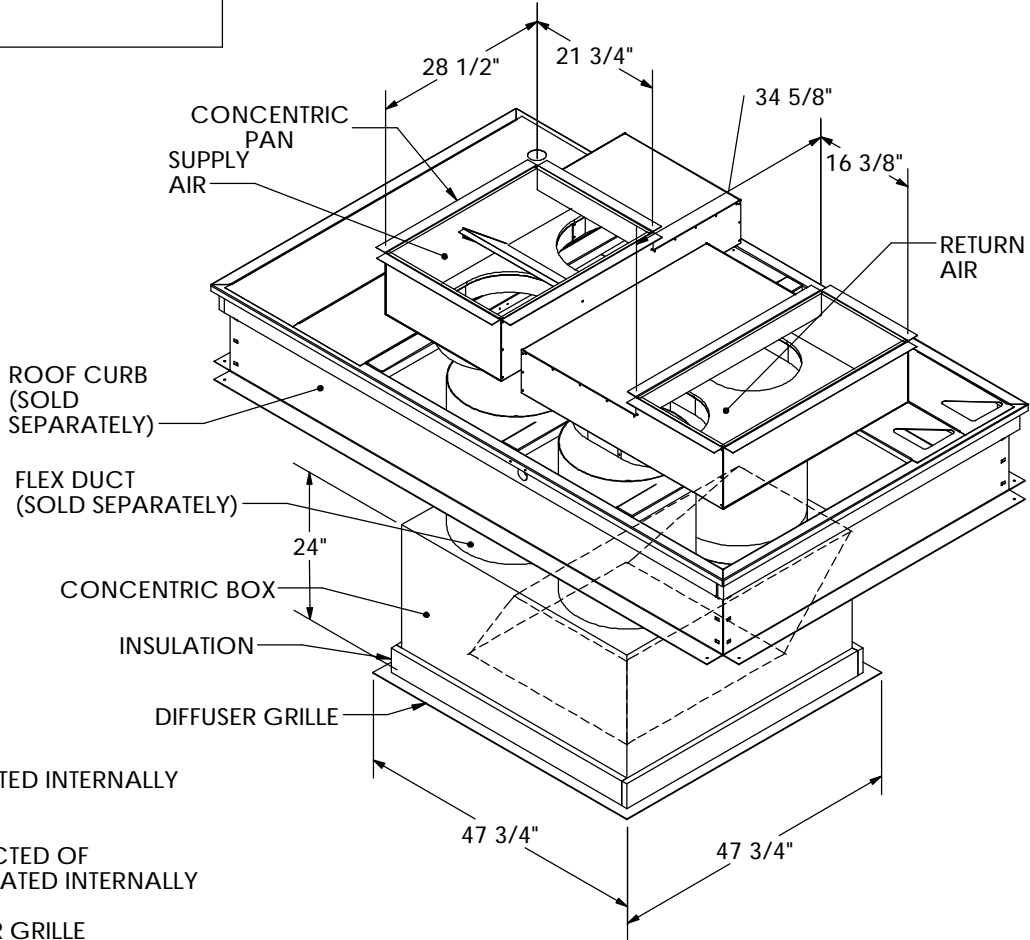
JOB NAME: \_\_\_\_\_

SUBMITTED BY: \_\_\_\_\_

NOTES: \_\_\_\_\_

\_\_\_\_\_

**FLUSH MOUNT FLEX DUCT CONCENTRIC KIT  
SUBMITTAL DATA FOR:  
CARRIER UNITS  
48/50PG12**



**FEATURES:**

- CONCENTRIC PANS ARE INSULATED INTERNALLY AND SHIPPED ASSEMBLED
- CONCENTRIC BOX IS CONSTRUCTED OF GALVANIZED STEEL AND IS INSULATED INTERNALLY
- FLUSH MOUNT PAINTED DIFFUSER GRILLE WITH FIXED BLADES
- CONCENTRIC BOX AND DIFFUSER GRILLE ARE SHIPPED ASSEMBLED

CAMBRIDGEPORT PART NUMBER	DUCT SIZE	APPLICABLE CURB MODEL NUMBERS	FLEX (SOLD SEPARATELY)	NOMINAL CFM	THROW IN FT.	
					MIN	MAX
1010338	4 @ 18"	CPRFCURB0031A00 SL	1000098 (4-18")	4000	16	39

**NOTES:**

- 1 - INSTALL INSULATED ADAPTER PANS BEFORE A/C UNIT IS PLACED ON CURB.
- 2 - FIELD BAFFLES MAY BE REQUIRED FOR BALANCING
- 3 - CONCENTRIC BOX MUST BE FIELD SUPPORTED

# Cambridgeport

## AIR SYSTEMS

MEMPHIS, TN 38118

PHONE 1-877-648-2872 FAX 901-566-0035

SALISBURY, MA 01952

PHONE 1-800-648-2872 FAX 978-462-9189

Drawn By: CJT  
Date: 02/28/08 Rev: 0  
CRF 7/2/08 Rev: 1