

**DROP BOX DUCT CONCENTRIC KIT
SUBMITTAL DATA FOR:
CARRIER UNITS
48/50PG12**

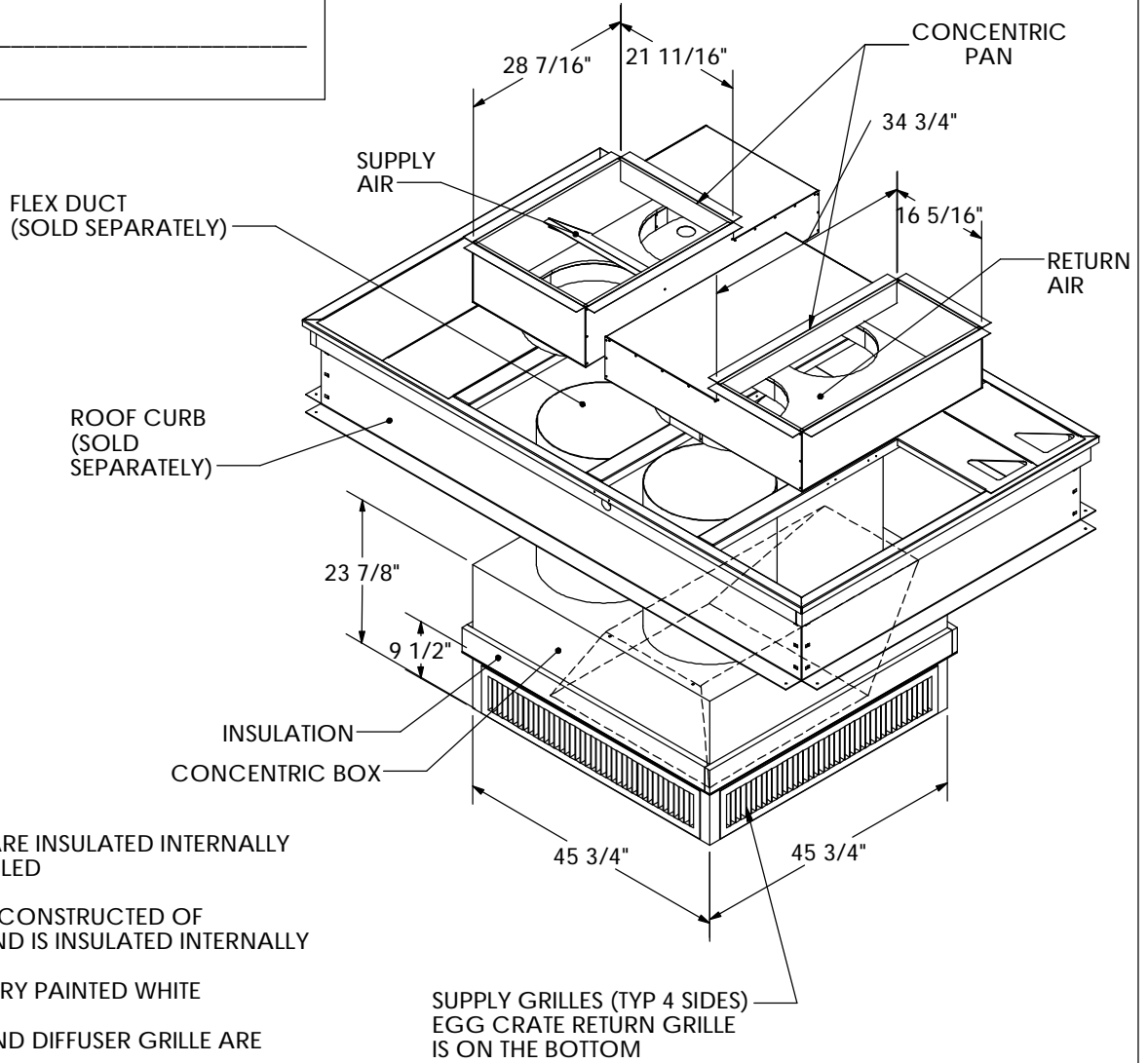
DATE: _____

COMPANY: _____

JOB NAME: _____

SUBMITTED BY: _____

NOTES: _____



FEATURES:

CONCENTRIC PANS ARE INSULATED INTERNALLY AND SHIPPED ASSEMBLED

CONCENTRIC BOX IS CONSTRUCTED OF GALVANIZED STEEL AND IS INSULATED INTERNALLY

LOWER BOX IS FACTORY PAINTED WHITE

CONCENTRIC BOX AND DIFFUSER GRILLE ARE SHIPPED ASSEMBLED

SUPPLY GRILLES (TYP 4 SIDES)
EGG CRATE RETURN GRILLE IS ON THE BOTTOM

CAMBRIDGEPORT PART NUMBER	DUCT SIZE	APPLICABLE CURB MODEL NUMBERS	FLEX (SOLD SEPARATELY)	NOMINAL CFM	THROW IN FT.	
					MIN	MAX
1010431	4 @ 18"	CRRFCURB031A00SL	1000098 (4-18")	4000	21	49

NOTES:

- 1 - INSTALL INSULATED ADAPTER PANS BEFORE A/C UNIT IS PLACED ON CURB.
- 2 - FIELD BAFFLES MAY BE REQUIRED FOR BALANCING
- 3 - CONCENTRIC BOX MUST BE FIELD SUPPORTED

Drawn By: CJT
Date: 02/28/08 Rev: 0
CRF 07/02/08 Rev: 1

Cambridgeport

AIR SYSTEMS

MEMPHIS, TN 38118

PHONE 1-877-648-2872 FAX 901-566-0035

SALISBURY, MA 01952

PHONE 1-800-648-2872 FAX 978-462-9189