

# Cambridgeport

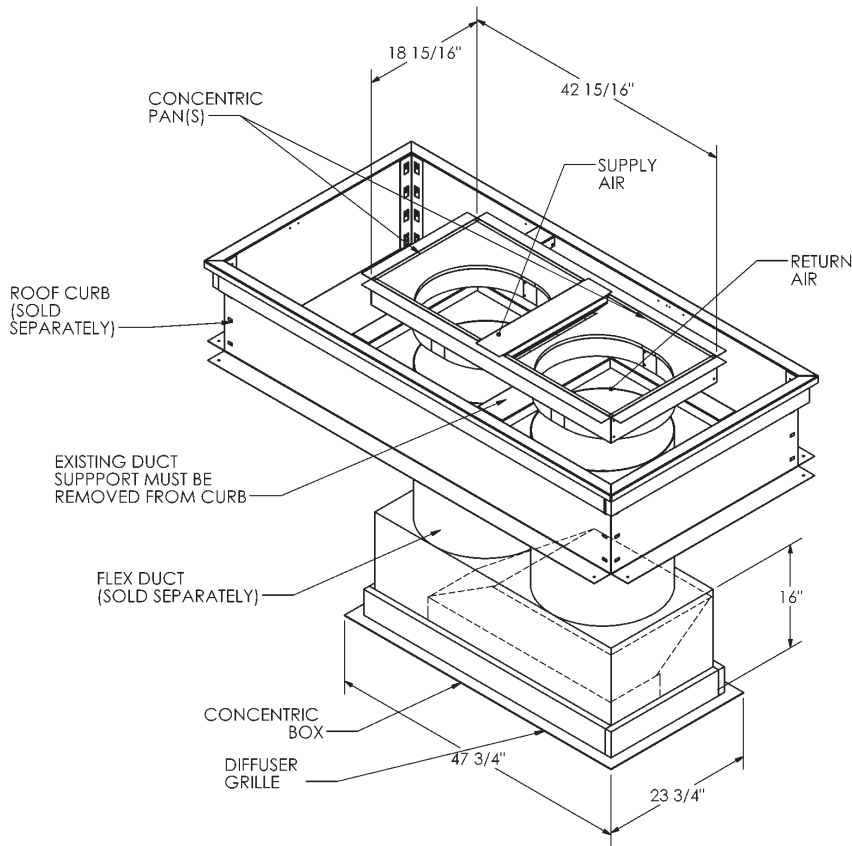
## SUBMITTAL

SUBMITTED TO \_\_\_\_\_  
 COMPANY \_\_\_\_\_  
 JOB NAME \_\_\_\_\_  
 EQUIPMENT \_\_\_\_\_  
 SIGNATURE \_\_\_\_\_  
 DATE \_\_\_\_\_

### CONCENTRIC KITS FLUSH MOUNT FOR YORK ROOFTOP UNITS

BQ, BP, DJ, DH, DY, XJ, XP, ZJ, ZP 048-060  
 BCH, DEE, DEG, DHE, DHG 048-060  
 DEG, DCE, DM, DF 048-060

Description	York Units	Part #
Flush Mount 18" flex	048-060	1010699



## FEATURES

- CONCENTRIC INSERT PANS ARE INSULATED INTERNALLY AND SHIPPED ASSEMBLED
- CONCENTRIC BOX FABRICATED OF HEAVY GALVANIZED STEEL AND INTERNALLY INSULATED
- FLUSH MOUNT DIFFUSER WITH FIXED BLADES
- CONCENTRIC BOX AND DIFFUSER ARE SHIPPED ASSEMBLED

Nominal CFM	Throw in Ft.	
	Min	Max
2,000	11	24