

Cambridgeport

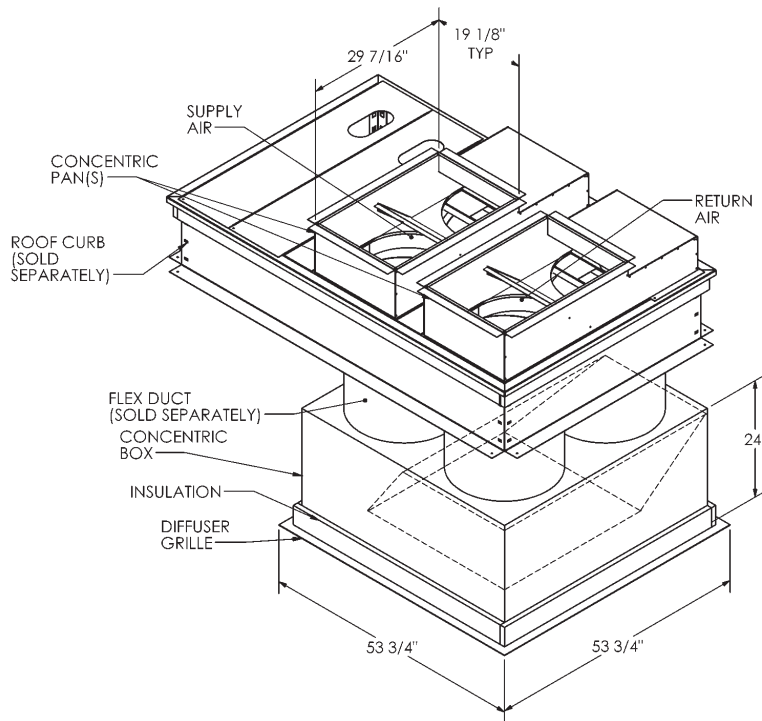
SUBMITTAL

SUBMITTED TO _____
 COMPANY _____
 JOB NAME _____
 EQUIPMENT _____
 SIGNATURE _____
 DATE _____

CONCENTRIC KITS FLUSH MOUNT FLEX FOR YORK ROOFTOP UNITS

BP, DF, DH, DM 120-150
 XH, XP, ZH, ZP 120-150
 DR 120-150
 DJ 150

Description	York Units	Part #
Flush Mount 20" flex	120-150	1010963



FEATURES

- CONCENTRIC INSERT PANS ARE INSULATED INTERNALLY AND SHIPPED ASSEMBLED
- CONCENTRIC BOX FABRICATED OF HEAVY GALVANIZED STEEL AND INTERNALLY INSULATED
- FLUSH MOUNT DIFFUSER WITH FIXED BLADES
- CONCENTRIC BOX AND DIFFUSER ARE SHIPPED ASSEMBLED

Nominal CFM	Throw in Ft.	
	Min	Max
6,000	24	48