

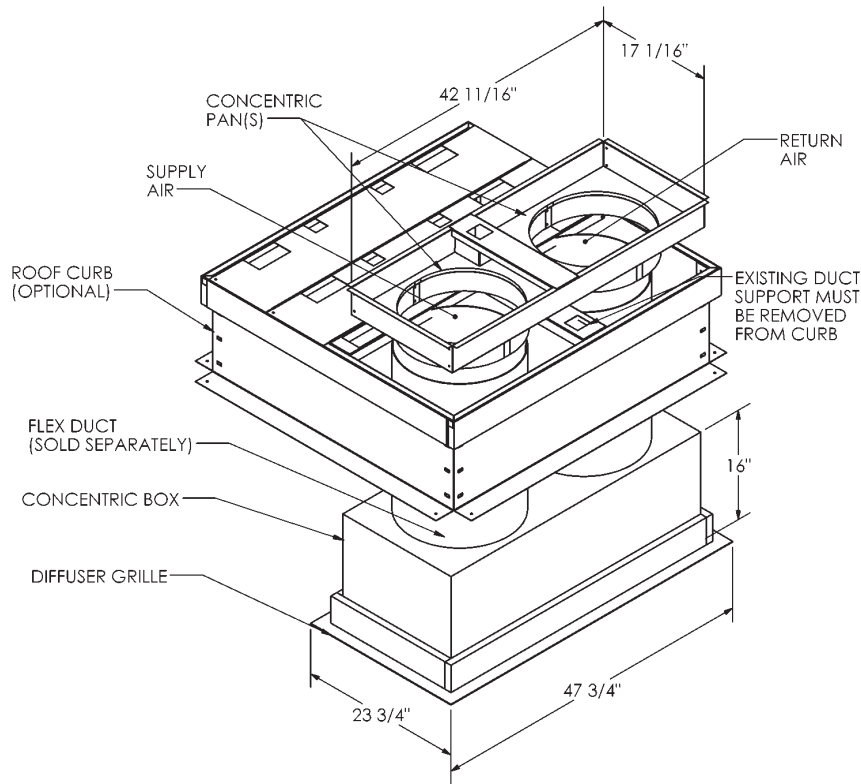
# Cambridgeport

## SUBMITTAL

SUBMITTED TO \_\_\_\_\_  
 COMPANY \_\_\_\_\_  
 JOB NAME \_\_\_\_\_  
 EQUIPMENT \_\_\_\_\_  
 SIGNATURE \_\_\_\_\_  
 DATE \_\_\_\_\_

**CONCENTRIC KITS FLUSH MOUNT  
 FLEX FOR YORK ROOFTOP UNITS**  
 BHA, BHH, DEB, DEH, DNA, DNH 018-036  
 BHP, BHX, BHZ, DNP 024-036  
 DEZ, DNY, DNX, DNZ 024-036  
 DEM 036

Description	York Units	Part #
Flush Mount 16" flex	018-036	1010966



## FEATURES

- CONCENTRIC INSERT PANS ARE INSULATED INTERNALLY AND SHIPPED ASSEMBLED
- CONCENTRIC BOX FABRICATED OF HEAVY GALVANIZED STEEL AND INTERNALLY INSULATED
- FLUSH MOUNT DIFFUSER WITH FIXED BLADES
- CONCENTRIC BOX AND DIFFUSER ARE SHIPPED ASSEMBLED

Nominal CFM	Throw in Ft.	
	Min	Max
1,600 - 2,000	11	26