

# Cambridgeport

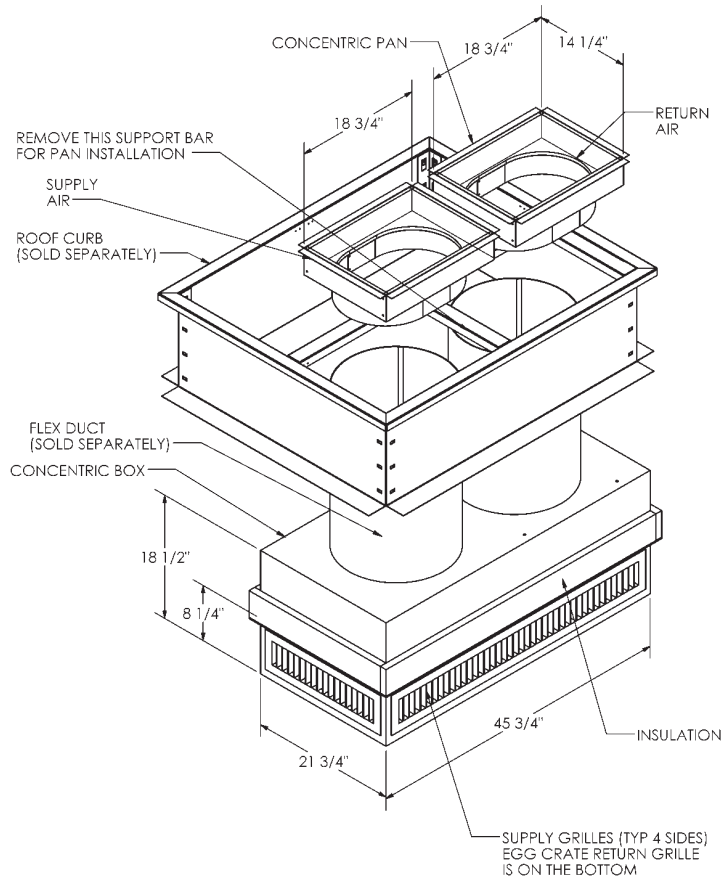
## SUBMITTAL

SUBMITTED TO \_\_\_\_\_  
 COMPANY \_\_\_\_\_  
 JOB NAME \_\_\_\_\_  
 EQUIPMENT \_\_\_\_\_  
 SIGNATURE \_\_\_\_\_  
 DATE \_\_\_\_\_

## CONCENTRIC KITS DROP BOX FLEX FOR TRANE ROOFTOP UNITS

2/4 TC\*/ WC\*/ YC\*3 018-036A

Description Part #  
 Drop Box 16" flex 1011525



## FEATURES

- CONCENTRIC FABRICATED OF HEAVY GALVANIZED STEEL
- INSULATED RETURN DUCT
- INSULATED SUPPLY DUCT
- FLUSH MOUNT DIFFUSER WITH FIXED BLADES

Nominal CFM	Throw in Ft.	
	Min	Max
1,200	12	17