

Cambridgeport

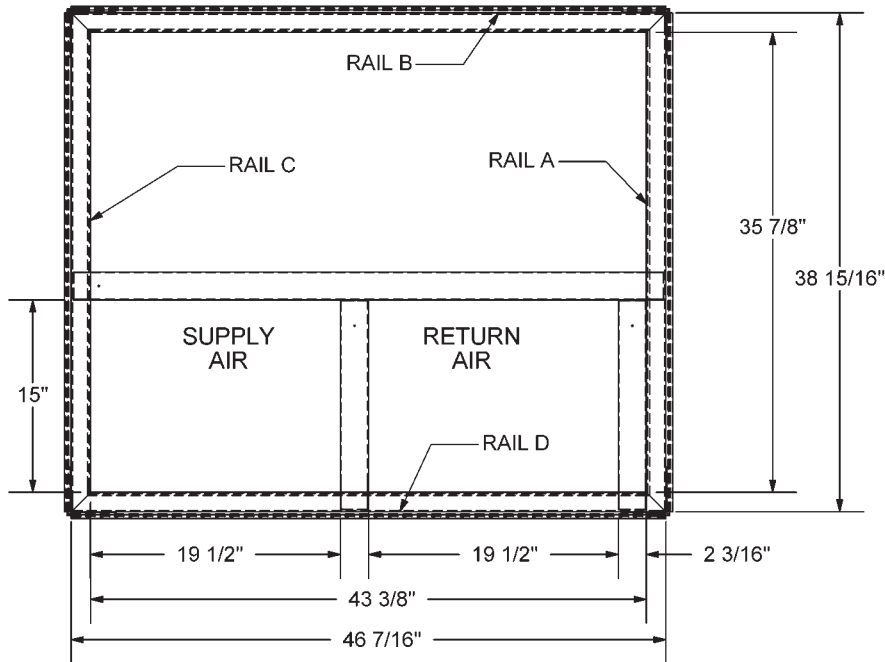
SUBMITTAL

SUBMITTED TO _____
 COMPANY _____
 JOB NAME _____
 EQUIPMENT _____
 SIGNATURE _____
 DATE _____

ISOLATION CURBS FOR TRANE ROOFTOP UNITS

2/4 TC*/ WC*/ YC*3 018-036A

| Description | Part # |
|---------------|---------|
| 1" Deflection | 1011817 |
| 2" Deflection | 1011818 |



FEATURES

- ASSEMBLED TO SUPPLIED ROOF CURB
- MITERED TOP CORNERS
- FABRICATED OF HEAVY GALVANIZED STEEL
- FULL PERIMETER WEATHER SEAL
- 1" OR 2" STATIC DEFLECTION
- DUCT SUPPORTS INCLUDED
- CANVAS DUCT CONNECTIONS (NOT INCLUDED)

