

Cambridgeport

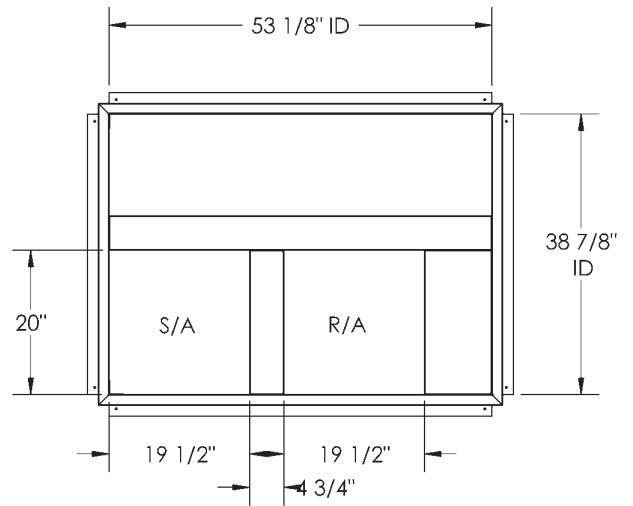
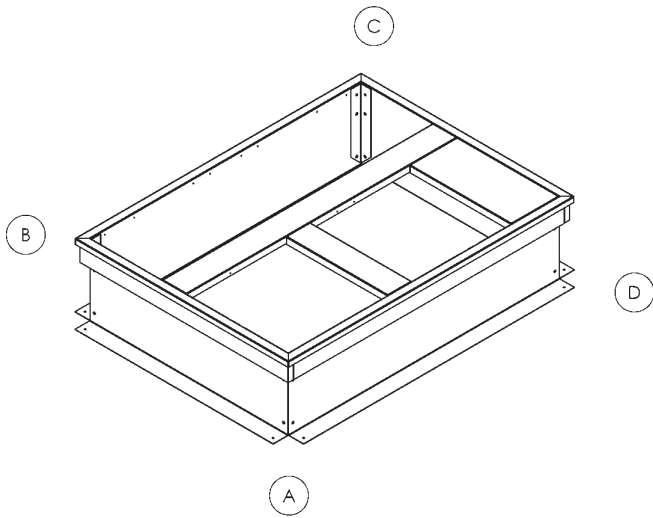
SUBMITTAL

SUBMITTED TO _____
 COMPANY _____
 JOB NAME _____
 EQUIPMENT _____
 SIGNATURE _____
 DATE _____

**SLOPE ROOF CURB FOR TRANE
 ROOFTOP UNITS**
 2/4 TC*/ WC*/ YC*3 042-060A

PART #

Slope Roof Curb over 1" up to 2" per Ft. 1011835
Slope Roof Curb 2" up to 3" per Ft. 1011836



HEIGHT OF CORNER A	HEIGHT OF CORNER B	HEIGHT OF CORNER C	HEIGHT OF CORNER D

