

Cambridgeport

SUBMITTAL

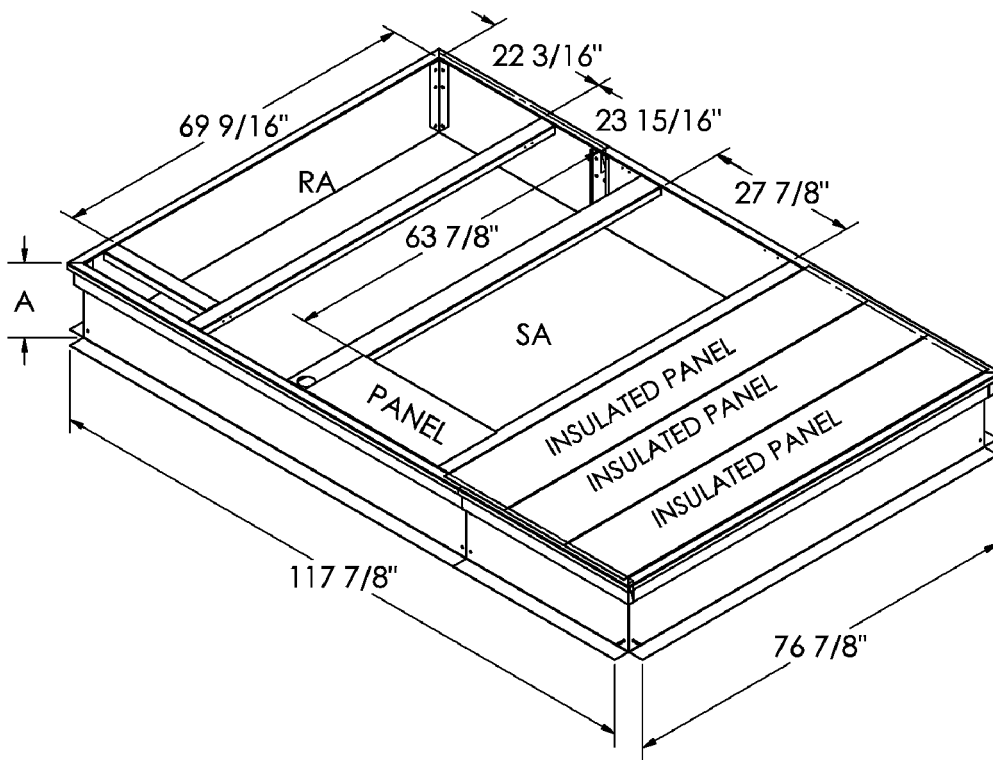
SUBMITTED TO _____
 COMPANY _____
 JOB NAME _____
 EQUIPMENT _____
 SIGNATURE _____
 DATE _____

ROOF CURBS FOR ROOFTOP UNITS

Carrier; 48/50 TC 17-20

Bryant; 558J, 580J 17-20

CAS	PART #	BRY/CAR	PART #	INSULATED	CURB HEIGHT
1014635		CFFRCURB045A00		1014835	"A"
1014832				1014834	14"
1014833				1014836	8"
1014636		CFFRCURB046A00		1014637	18"
					24"



FEATURES

- MITERED TOP CORNERS
- ROOF CURB IS FABRICATED OF 18GA G90 GALVANIZED STEEL
- FULL PERIMETER WOOD NAILER
- PRE-PUNCHED ASSEMBLY HOLES AND HARDWARE INCLUDED FOR DUCT SUPPORT INSTALLATION
- ROOF CURB IS SHIPPED UNASSEMBLED
- * CURBS ARE INTERNALLY INSULATED WITH 1" THICK 1-1/2 LB DENSITY DUCT LINER

