

# Cambridgeport

## SUBMITTAL

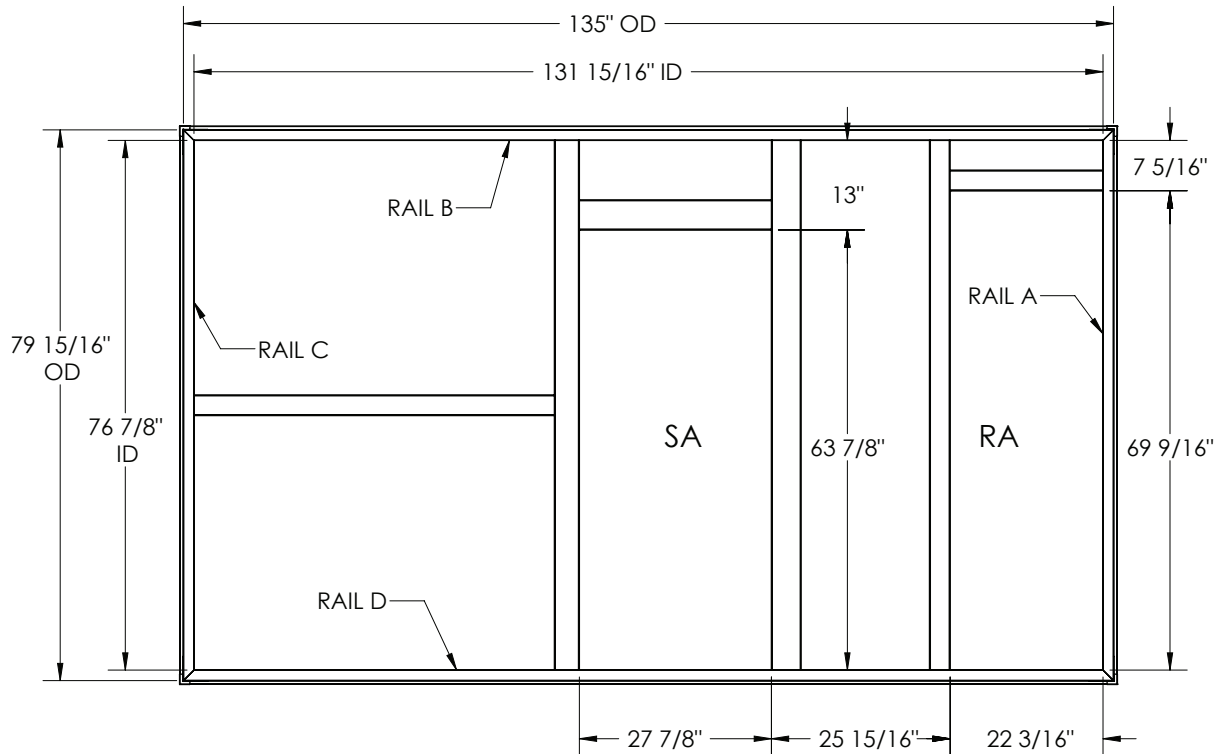
## ISOLATION RAILS FOR ROOFTOP UNITS

SUBMITTED TO \_\_\_\_\_  
 COMPANY \_\_\_\_\_  
 JOB NAME \_\_\_\_\_  
 EQUIPMENT \_\_\_\_\_  
 SIGNATURE \_\_\_\_\_  
 DATE \_\_\_\_\_

**Bryant:**  
 580J, 558J 24-28  
 581J 20, 24 ; 548J24

**Carrier:**  
 48/50 TC 24-28  
 45/50 HC 20, 24

DESCRIPTION	PART#
1" Deflection KD	1014861
2" Deflection KD	1014862
1" Deflection ASD	1014863
2" Deflection ASD	1014864



## FEATURES

- SHIPPED KNOCK DOWN OR ASSEMBLED
- MITERED TOP CORNERS
- FABRICATED OF ALUMINUM EXTRUSION
- FULL PERIMETER WEATHER SEAL
- 1" OR 2" STATIC DEFLECTION
- DUCT SUPPORTS INCLUDED
- ROOF CURB SOLD SEPARATELY
- CANVAS DUCT CONNECTIONS (NOT INCLUDED)

