

© 2007 COX ENGINEERING DBA CAMBRIDGEPORT AIR SYSTEMS.
 THE INFORMATION CONTAINED IN THIS DOCUMENT IS PROPRIETARY TO
 COX ENGINEERING COMPANY DBA CAMBRIDGEPORT AIR SYSTEMS.
 THIS DOCUMENT OR THE INFORMATION CONTAINED IN WHOLE OR IN PART
 MAY NOT BE ISSUED TO ANOTHER PARTY WITHOUT WRITTEN CONSENT AND
 AUTHORIZATION FROM CAMBRIDGEPORT.

Approval Block

Date: _____
 Company: _____
 Job Name: _____
 Approved By: _____
 Notes: _____

**CERTIFIED WIND/HURRICANE
 ROOF CURB
 SUBMITTAL # 1015288**

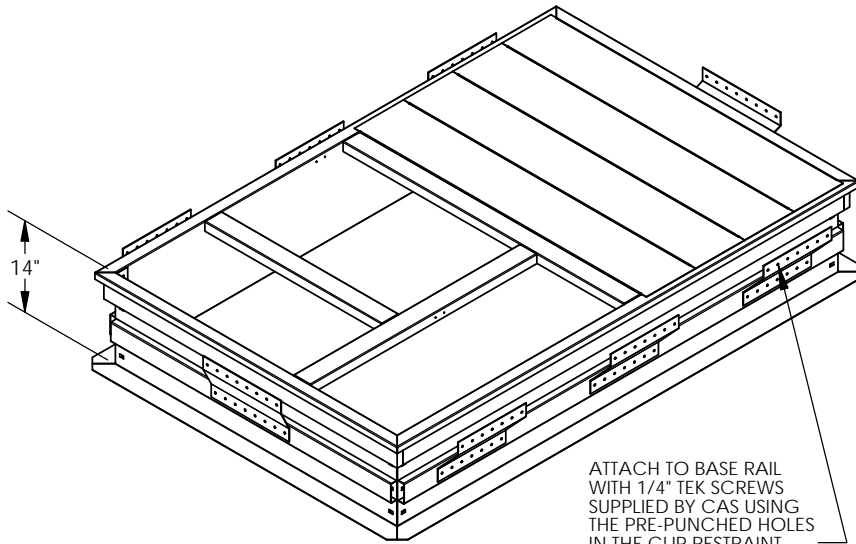
CARRIER 3A

1015288

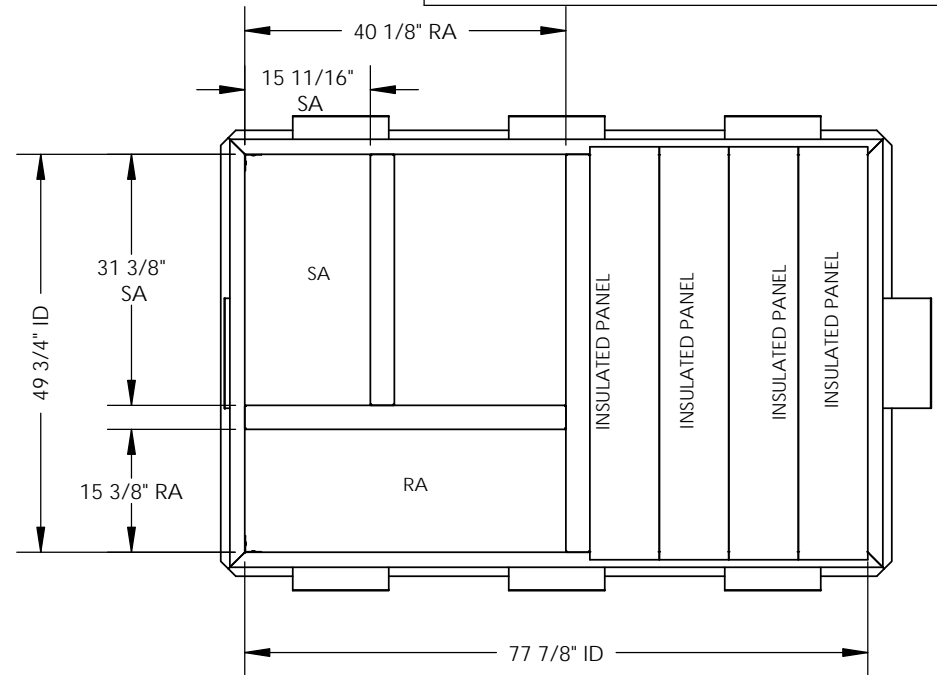
Drawn Date: 11/4/09 Rev. D (RTO 02/10/2020)

Drawn By: CDM

Estimated Weight: 176.02 LBS.

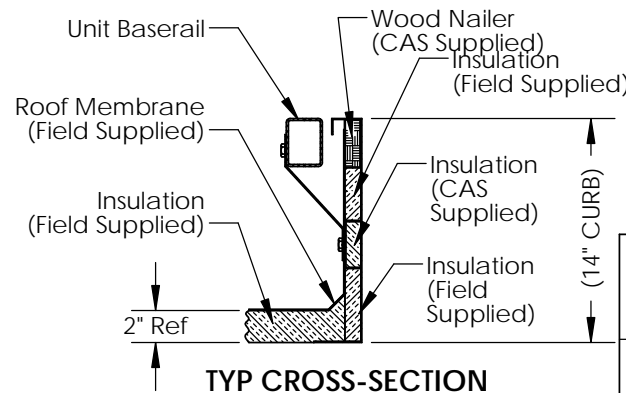


ATTACH TO BASE RAIL
 WITH 1/4" TEK SCREWS
 SUPPLIED BY CAS USING
 THE PRE-PUNCHED HOLES
 IN THE CLIP RESTRAINT



FEATURES:

1. Built to NRCA Standards.
2. Mitered Corners.
3. Gasket Provided for Unit to Curb Sealing.
4. Curb Fabricated of Heavy Gauge Galvanized (G90) Steel.
5. Full Perimeter Wood Nailer Included.
6. Pre-Punched Holes and Hardware Included for Curb Assembly.
7. Attachment Clips and Screws to Secure RTU to Curb Included.
8. Curb is Shipped Unassembled.
9. Curb is Labeled with RTU # if Applicable
10. Designed to Withstand Most Severe Wind Loads Designated by All Current Building Codes.
11. Certified Site-Specific Calculations Stamped by Registered PE Available.



TYPICAL CROSS-SECTION

Cambridgeport

4 Carlton Drive
 Georgetown MA 01833

1-800-648-2872

HVAC Accessories & Engineered Systems