

DATE: _____
 COMPANY: _____
 JOB NAME: _____
 SUBMITTED BY: _____
 NOTES: _____

ROOF CURB SUBMITTAL #1017086

CARRIER 48/50HC28

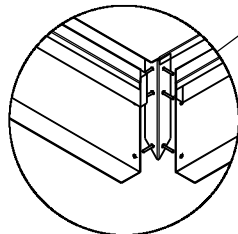
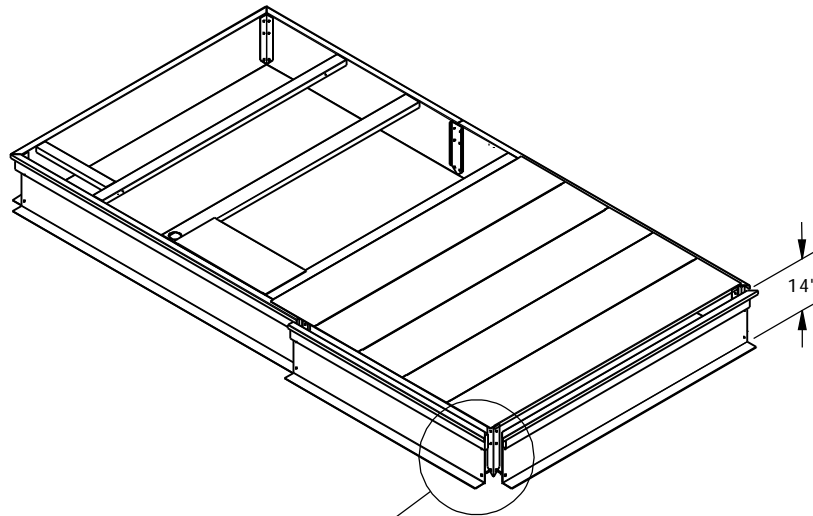
CURB ASSEMBLY NUMBER

1017086

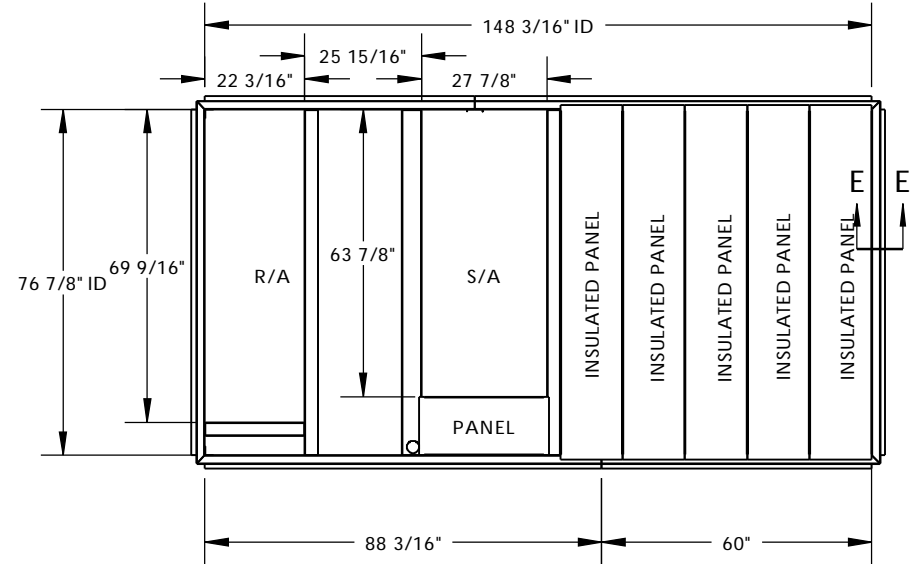
REV:

Drawn By: RTO
 Drawn Date: 11/16/10

ESTIMATED WEIGHT: 309 LBS.



DETAIL A



FEATURES:

MITERED TOP CORNERS

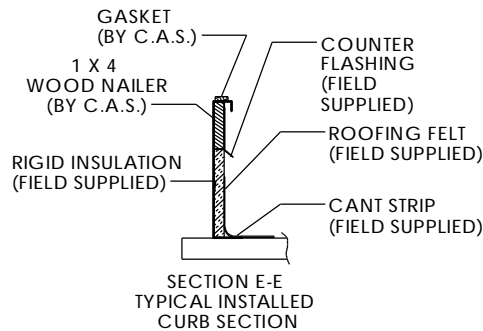
ROOF CURB BODY IS FABRICATED OF HEAVY GAUGE GALVANIZED STEEL.

PRE-PUNCHED ASSEMBLY HOLES AND HARDWARE INCLUDED FOR DUCT SUPPORT INSTALLATION,

FULL PERIMETER WOOD NAILER.

GASKETING PROVIDED FOR UNIT TO CURB SEALING.

ROOF CURB IS SHIPPED KNOCKED DOWN.



ROOF CURB IS LABELED WITH RTU# IF APPLICABLE

© 2007 COX ENGINEERING COMPANY
 DBA CAMBRIDGEPORT AIR SYSTEMS. ALL RIGHTS RESERVED TM

Cambridgeport
 AIR SYSTEMS, INC.

SALISBURY, MA 01952

PHONE 1-800-648-2872 FAX 1978-462-9189