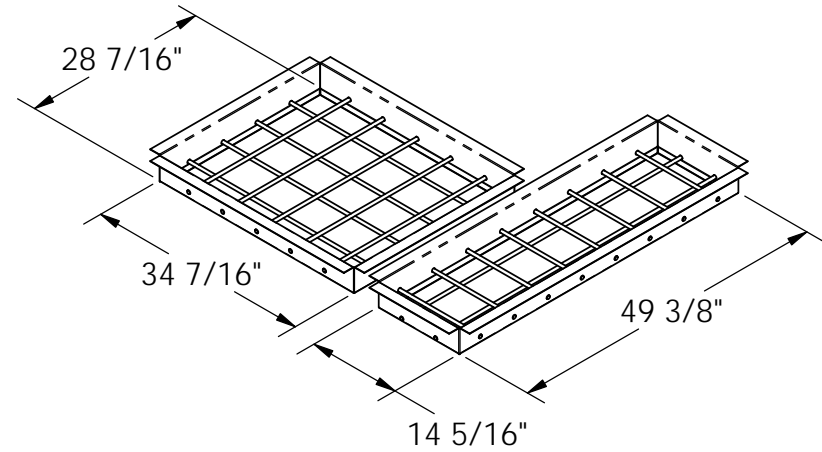
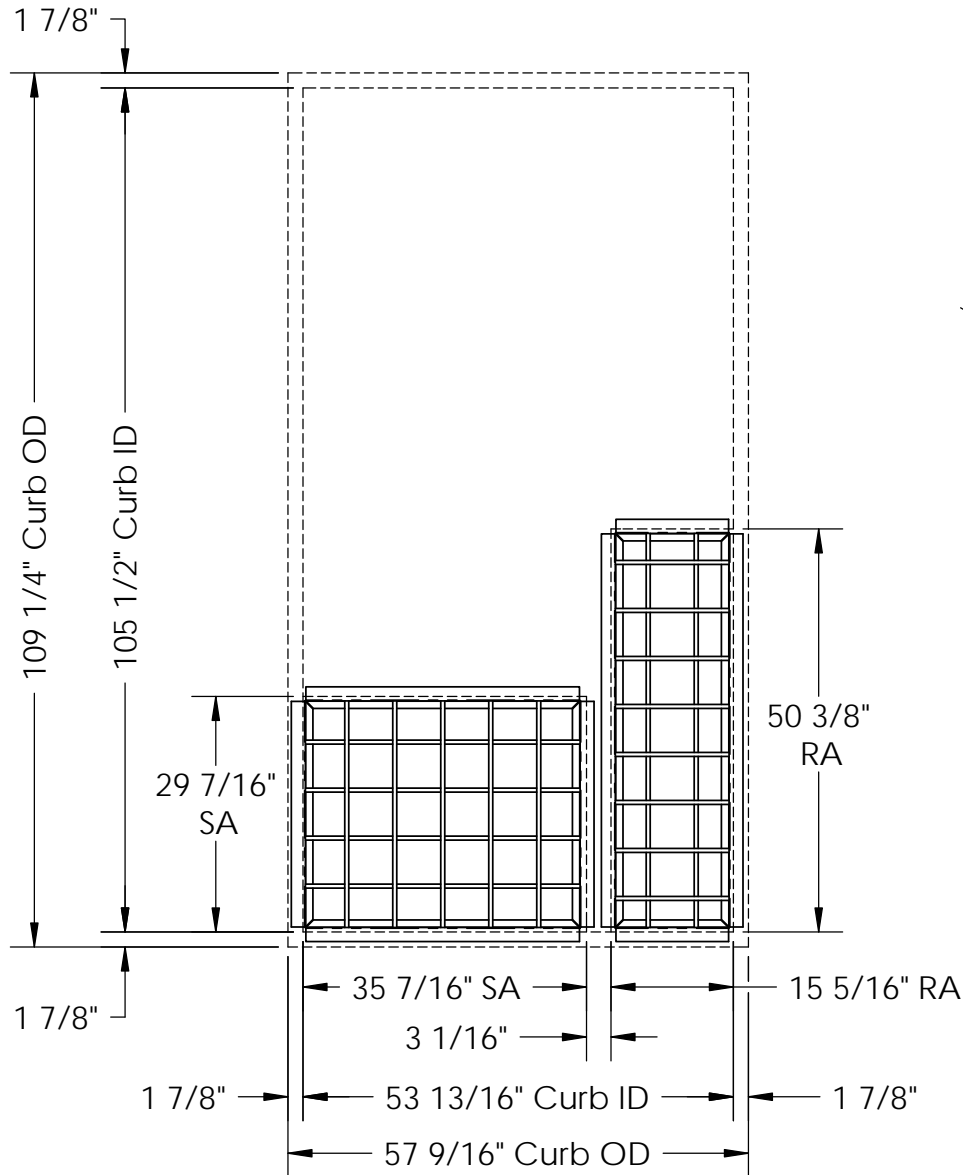


© 2007 COX ENGINEERING DBA CAMBRIDGEPORT AIR SYSTEMS.  
 THE INFORMATION CONTAINED IN THIS DOCUMENT IS PROPRIETARY TO  
 COX ENGINEERING COMPANY DBA CAMBRIDGEPORT AIR SYSTEMS.  
 THIS DOCUMENT OR THE INFORMATION CONTAINED IN WHOLE OR IN PART  
 MAY NOT BE ISSUED TO ANOTHER PARTY WITHOUT WRITTEN CONSENT AND  
 AUTHORIZATION FROM CAMBRIDGEPORT.

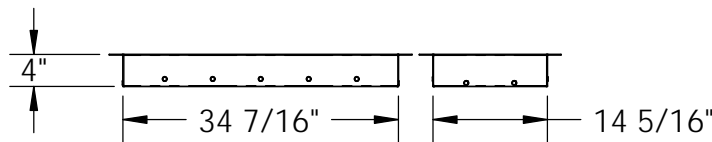
REVISIONS				
ZONE	REV.	DESCRIPTION	DATE	APPROVED



## Submittal Approval

Name: \_\_\_\_\_

Date: \_\_\_\_\_



MATERIAL: GALV ( GA.) THK. ( 51.64 LBS. )

		NORTH 8 Fanaras Drive Salisbury Industrial Park Salisbury MA 01952		1-800-648-2872 1-877-648-2872		SOUTH 3529 Lamar Ave. Lamar Industrial park Memphis TN 38118	
		<b>HVAC Accessories &amp; Engineered Systems</b>					
UNLESS OTHERWISE SPECIFIED		CUST. _____ CUST. JOB NO. - _____ OLD UNIT - _____ NEW UNIT - _____ SUBMITTAL NO. _____		DRAWN CDM DATE: 7/10/2012		DESCRIPTION:  BB ASSY	
TOLERANCES: DECIMALS = ± .063 FRACTIONS = ± 1/16 ANGLES = ± 1°		Carrier 48HC14 (74A)		PART NO.		REV.	
MATERIAL CONDITIONS: REMOVE ALL BURRS & SHARP EDGES ALL DIMENSIONS ARE O.D.		DETAIL OF 1019196		SHEET 1 OF 1		1019196_sub	