

DATE: _____
 COMPANY: _____
 JOB NAME: _____
 SUBMITTED BY: _____
 NOTES: _____

ROOF CURB SUBMITTAL #1030051

YORK 446

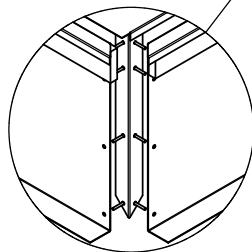
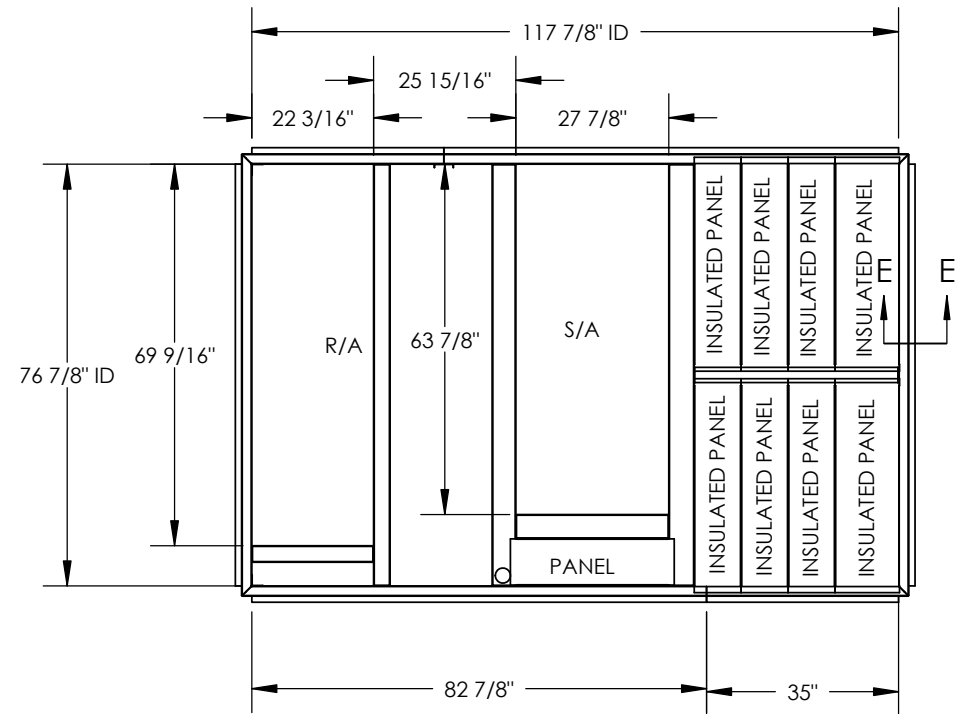
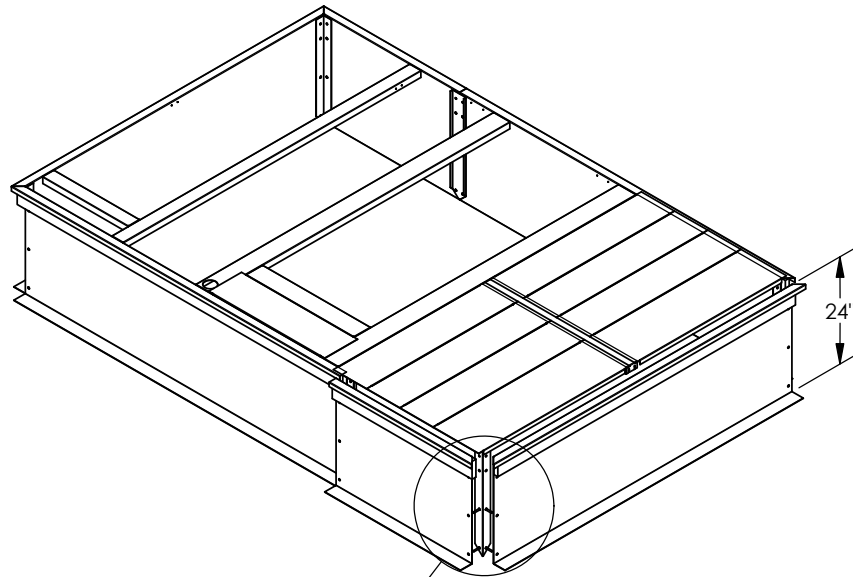
CURB ASSEMBLY NUMBER

1030051

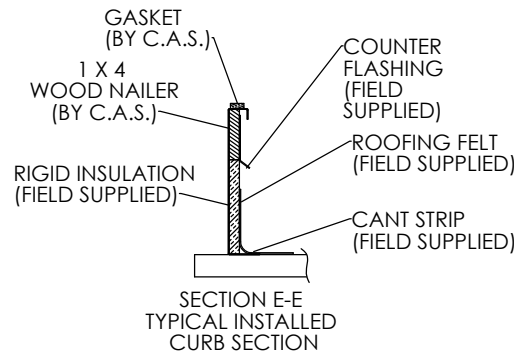
REV:

Drawn By: JSL
 Drawn Date: 7/6/2021

ESTIMATED WEIGHT: 324 LBS.



DETAIL A



FEATURES:

- MITERED TOP CORNERS
- ROOF CURB BODY IS FABRICATED OF HEAVY GAUGE GALVANIZED STEEL.
- FULL PERIMETER WOOD NAILER.
- PRE-PUNCHED ASSEMBLY HOLES AND HARDWARE INCLUDED FOR DUCT SUPPORT INSTALLATION.
- ROOF CURB IS SHIPPED KNOCKED DOWN.

ROOF CURB IS LABELED WITH RTU# IF APPLICABLE

© 2007 COX ENGINEERING COMPANY
 DBA CAMBRIDGEPORT AIR SYSTEMS. ALL RIGHTS RESERVED. TM

Cambridgeport
 AIR SYSTEMS, INC.
 GEORGETOWN, MA 01833

PHONE 1-800-648-2872 FAX 1978-462-9189