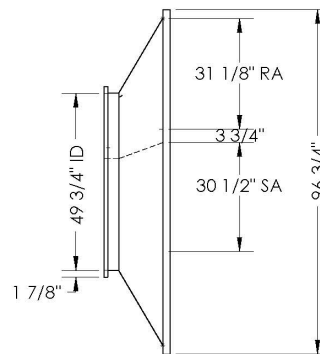
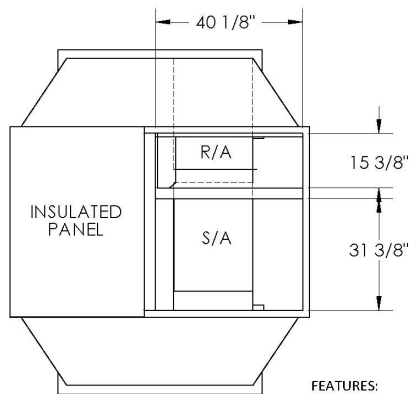


Cambridgeport

SUBMITTAL

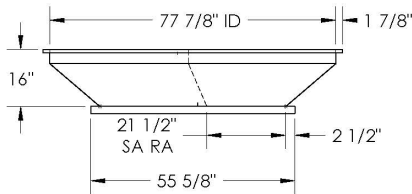
Part Number
2006688

SUBMITTED TO _____
 COMPANY _____
 JOB NAME _____
 EQUIPMENT _____
 SIGNATURE _____
 DATE _____



FEATURES:

1. ONE PIECE WELDED CONSTRUCTION
2. CURB ADAPTER MADE OF HEAVY GAUGE GALVANIZED STEEL.
3. ALL WELDS ARE COATED WITH A GALVANIZED COMPOUND.
4. GASKETING IS PROVIDED FOR UNIT TO CURB ADAPTER SEALING.
5. CURB ADAPTER IS FULLY INSULATED.
6. SUPPLY TRANSITION INCLUDED.



MATERIAL: 18 GA (0.0516) 198.8 LBS

FEATURES

- ONE PIECE WELDED CONSTRUCTION
- FACTORY INSTALLED SUPPLY TRANSITIONS
- FULLY INSULATED
- DESIGNED FOR EVEN WEIGHT DISTRIBUTION
- FABRICATED OF HEAVY GAUGE G90 GALVANIZED STEEL
- ALL WELDS SPRAYED WITH GALVANIZING COMPOUND
- GASKET PROVIDED FOR UNIT TO ADAPTER SEALING

SUBMITTAL

Approved By: _____

Date: _____

Cambridgeport

NORTH: 8 Paramus Drive, Salisbury Industrial Park, Salisbury MA 01952 | 1-800-648-2872
 SOUTH: 3529 Lamar Ave., Lamar Industrial Park, Memphis TN 38118 | 1-877-648-2872

HVAC Accessories & Engineered Systems

UNLESS OTHERWISE SPECIFIED:	CUST. JOB NO.	DRYVNN	JSU/CD/M	DESCRIPTION
TOLERANCES:		DATE:	3/12/12	
DECIMALS = + .063	Len. LGA150S			ASS'Y, ADAPTER
FRACTORS = + 1/16	NEW/Car. 48HJ008			
ANGLES = + 1°	SUBMITTAL 2006688 Sub			
MATERIAL CONDITIONS:	NO. 2			
REMOVE ALL BURRS & SHARP EDGES	DETAIL OF			
ALL DIMENSIONS ARE O.D.	2006688 Sub	SHEET 1	CF 1	PART NO. 2006688 Sub

CAMBRIDGEPORT STRONGLY RECOMMENDS CONFIRMING THE DIMENSIONS ON THIS SUBMITTAL

CURB ADAPTERS ARE BASED ON UNIT MANUFACTURERS STANDARD CURB DIMENSIONS. CAMBRIDGEPORT CANNOT BE RESPONSIBLE FOR ANY DEVIATIONS FROM FACTORY DIMENSIONS OR INCORRECT MODEL NUMBERS.